



DASCO LIGHTING

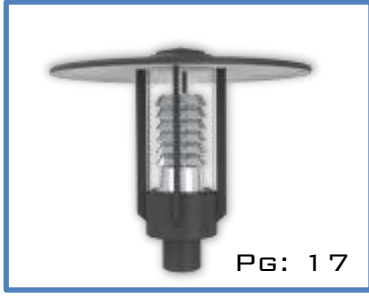
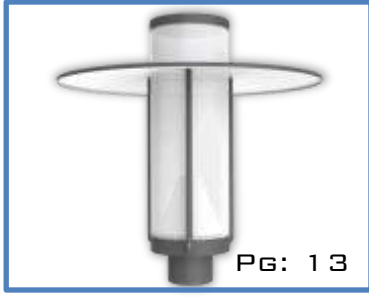
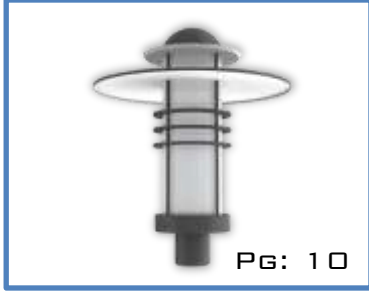
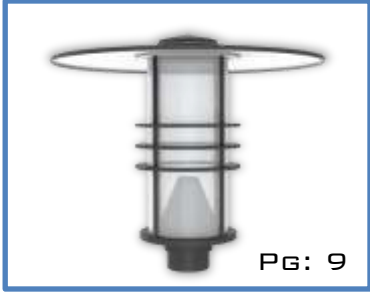
OUTDOOR LIGHTING 2012



CONTENTS – OUTDOOR LIGHTING

<u>PRODUCT</u>	<u>PAGE</u>
BOLLARD LIGHT	37 ~ 41
BURIED-UP LIGHT	56 ~ 57
FLOOD LIGHT	19 ~ 22
GARDEN LIGHT	6 ~ 17
LAWN LIGHT	48 ~ 51
STREET LIGHT	53 ~ 54
UP-DOWN LIGHT	43 ~ 46
WALL LIGHT	24 ~ 35
<u>INFORMATION</u>	<u>PAGE</u>
ADEQUATE LIGHT LEVELS	59
COMPANY BRIEF-INTRODUCTION	4
HID LAMP SPECIFICATION	58
IEC CLASSIFICATION OF PROTECTION	59

DASCO LIGHTING RESERVES THE RIGHT
 TO ALTERNATE THE SPECIFICATIONS
 OF ITS PRODUCT AT ANY TIME WITHOUT PRIOR NOTICE.

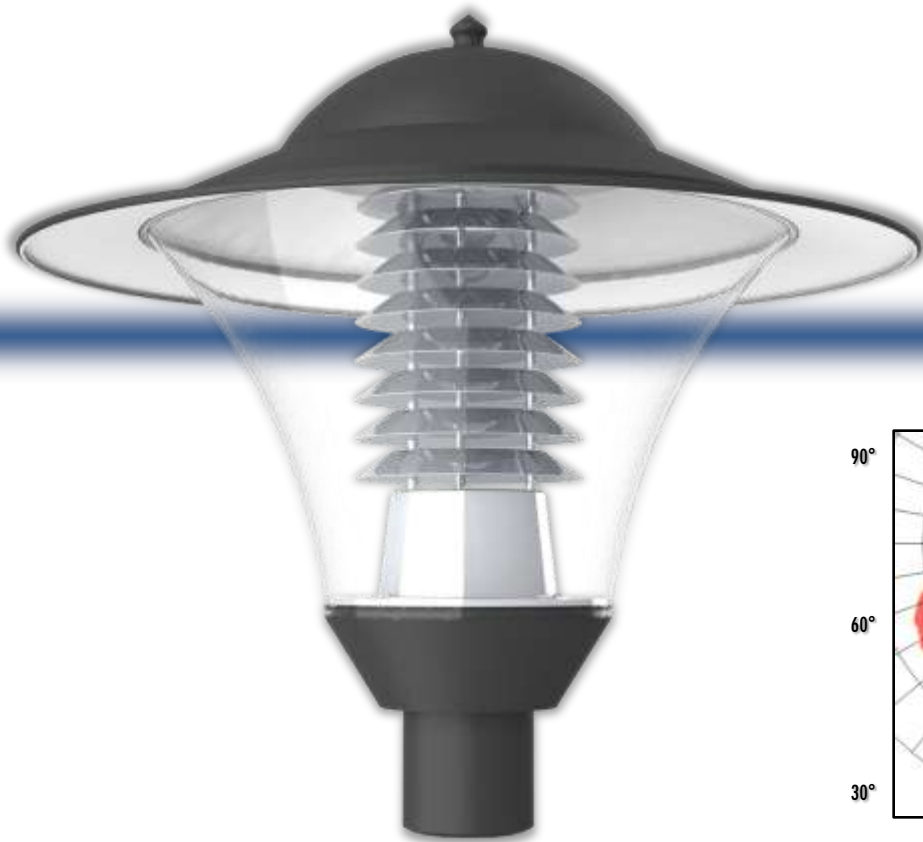
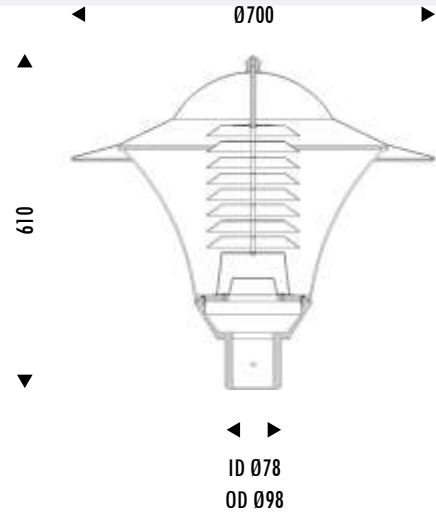


GARDEN LIGHT



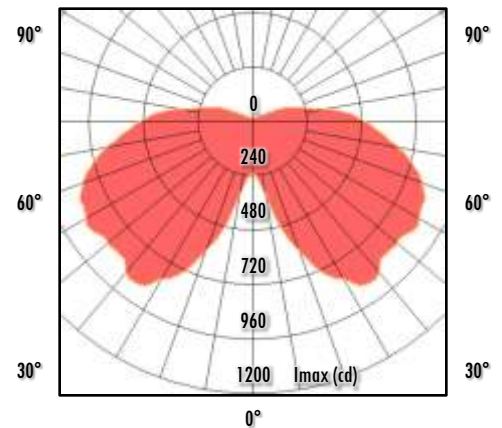
SPECIFICATION

- DIE CAST ALUMINIUM ALLOY BODY AND COMPONENT.
- ELECTROSTATICALLY COATED WITH EPOXY / POLYESTER POWDER.
- ANODIZED ALUMINIUM LOUVER.
- STAINLESS STEEL SCREWS.
- ACRYLIC DIFFUSER, CLEAR.
- SEALED WITH SILICONE GASKETS.
- DEGREE OF PROTECTION: IP65.
- TYPE OF PROTECTION: CLASS 1.



LIGHT DISTRIBUTION

METAL HALIDE 150W

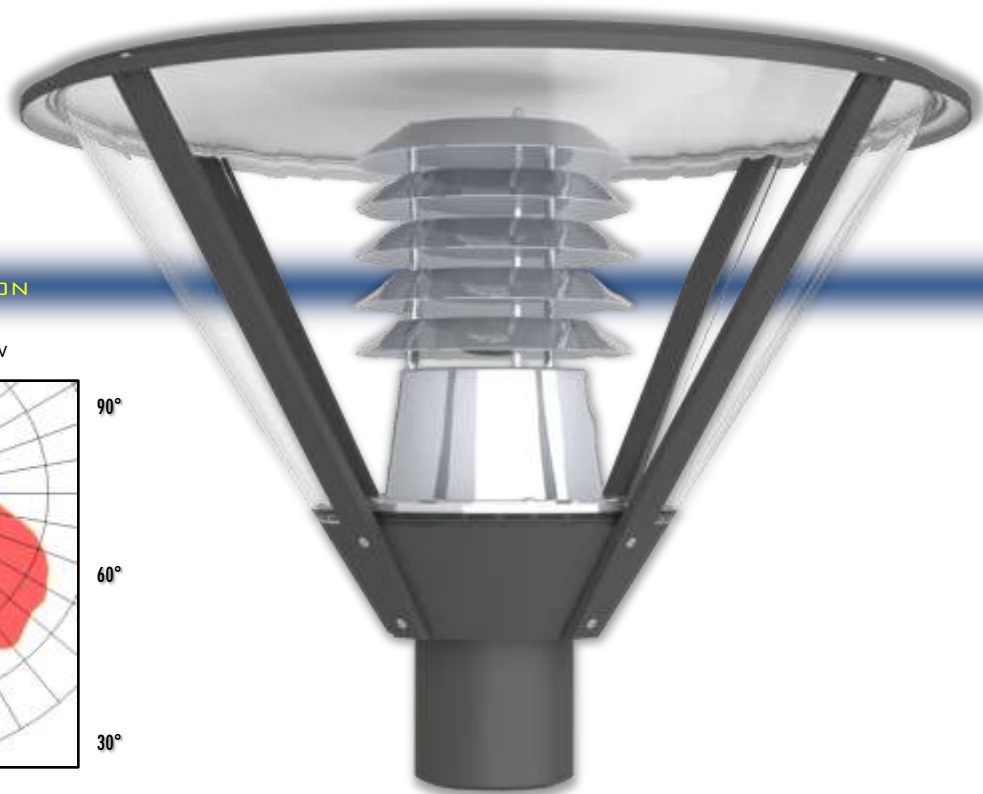
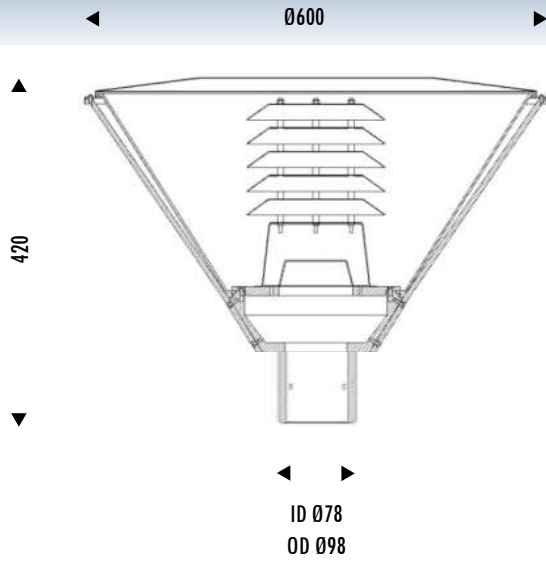


MODEL.	RECOMMENDED LAMP.	LAMP.	LAMP BASE.	POWER AT 240V
AL-101	SODIUM-T	70W - 100W - 150W	E27, E40	1.20~0.75 amp
	METAL HALIDE-T	150W	E27, E40	1.20~0.75 amp
	GE Biax™ T/E	32W - 42W	GX24q-3	0.22~0.20 amp
	PLC-E	45W - 55W - 65W	E27, E40	0.39~0.25 amp

MODEL : AL-104

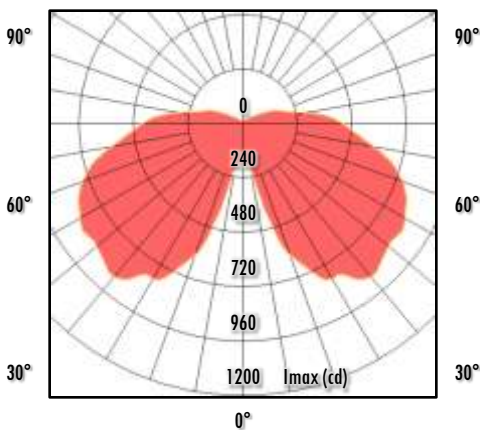
SPECIFICATION

- DIE CAST ALUMINIUM ALLOY BODY AND COMPONENT.
- ELECTROSTATICALLY COATED WITH EPOXY / POLYESTER POWDER.
- ANODIZED ALUMINIUM LOUVER.
- STAINLESS STEEL SCREWS.
- ACRYLIC DIFFUSER, CLEAR.
- SEALED WITH SILICONE GASKETS.
- DEGREE OF PROTECTION: IP65.
- TYPE OF PROTECTION: CLASS 1.



LIGHT DISTRIBUTION

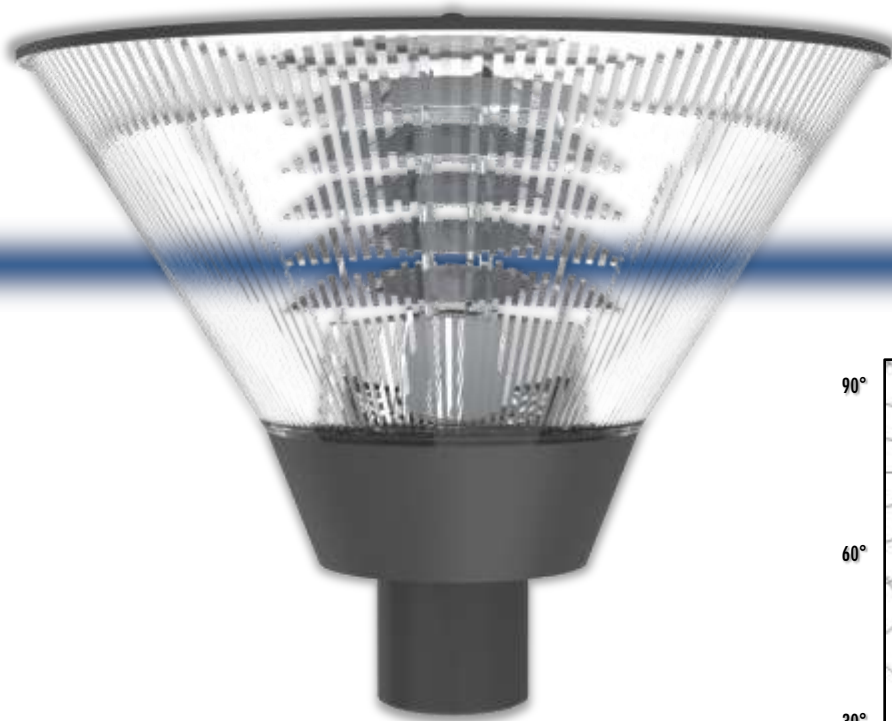
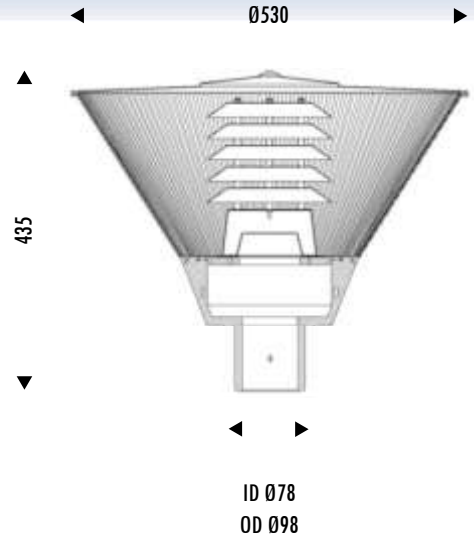
METAL HALIDE 150W



MODEL.	RECOMMENDED LAMP.		LAMP BASE.	POWER AT 240V
AL-104	SODIUM-T	70W - 100W - 150W	E27, E40	1.20~0.75 amp
	METAL HALIDE-T	150W	E27, E40	1.20~0.75 amp
	GE Biax™ T/E	32W - 42W	GX24q-3	0.22~0.20 amp
	PLC-E	45W - 55W - 65W	E27, E40	0.39~0.25 amp

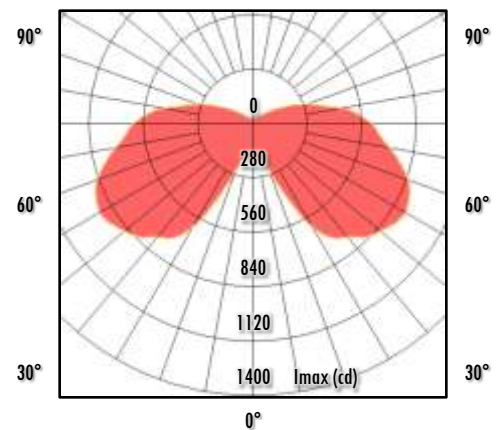
SPECIFICATION

- DIE CAST ALUMINIUM ALLOY BODY AND COMPONENT.
- ELECTROSTATICALLY COATED WITH EPOXY / POLYESTER POWDER.
- ANODIZED ALUMINIUM LOUVER.
- STAINLESS STEEL SCREWS.
- ACRYLIC DIFFUSER, LINEAR.
- SEALED WITH SILICONE GASKETS.
- DEGREE OF PROTECTION: IP65.
- TYPE OF PROTECTION: CLASS 1.



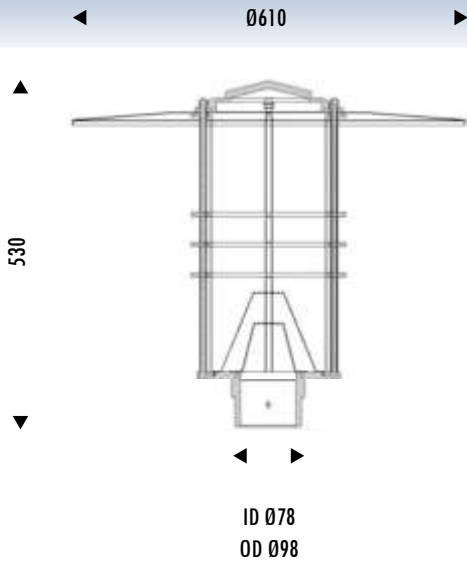
LIGHT DISTRIBUTION

METAL HALIDE 150W



MODEL.	RECOMMENDED LAMP.		LAMP BASE.	POWER AT 240V
AL-105	SODIUM-T	70W - 100W - 150W	E27, E40	1.20~0.75 amp
	METAL HALIDE-T	150W	E27, E40	1.20~0.75 amp
	GE Biac™ T/E	32W - 42W	GX24q-3	0.22~0.20 amp
	PLC-E	45W - 55W - 65W	E27, E40	0.39~0.25 amp

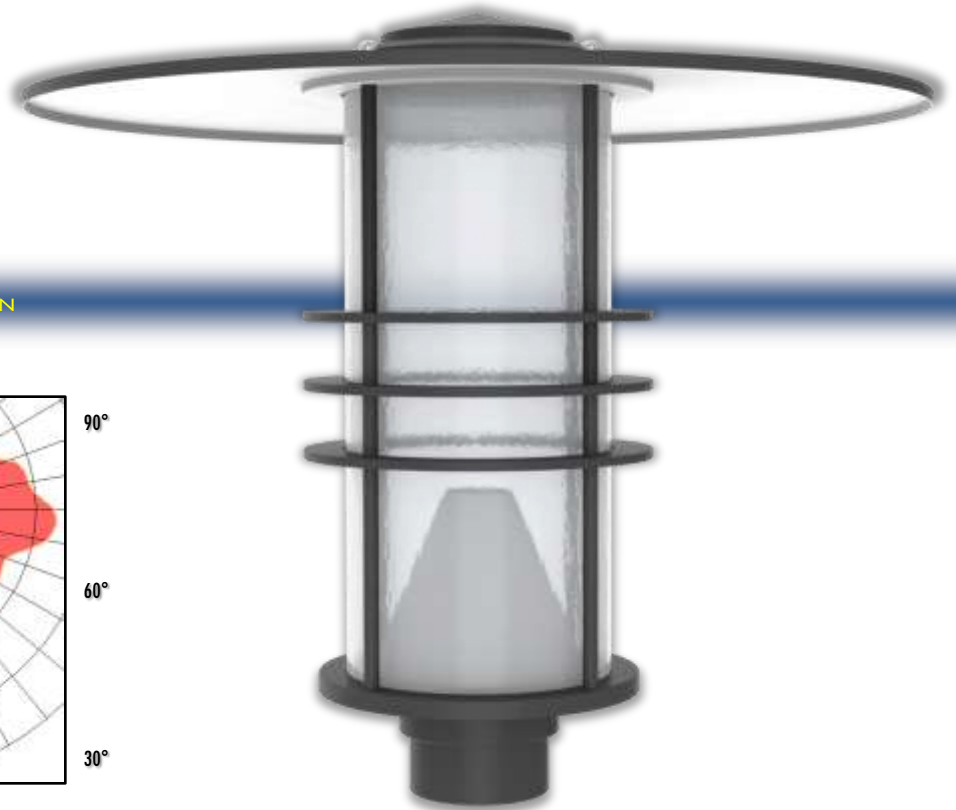
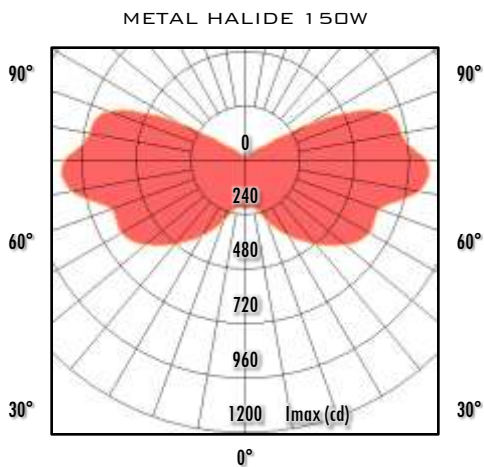
MODEL : AL-341



SPECIFICATION

- DIE CAST ALUMINIUM ALLOY BODY AND COMPONENT.
- ELECTROSTATICALLY COATED WITH EPOXY / POLYESTER POWDER.
- STAINLESS STEEL SCREWS.
- ACRYLIC DIFFUSER, FROSTED.
- SEALED WITH SILICONE GASKETS.
- DEGREE OF PROTECTION: IP65.
- TYPE OF PROTECTION: CLASS 1.

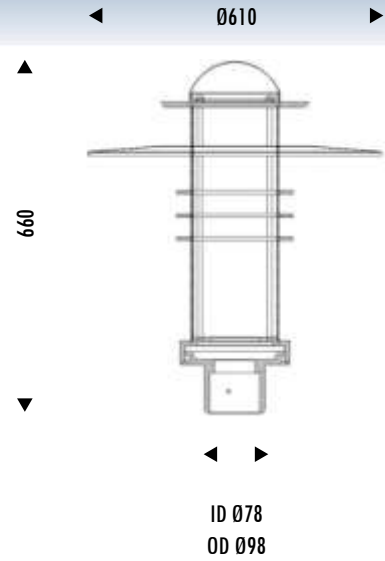
LIGHT DISTRIBUTION



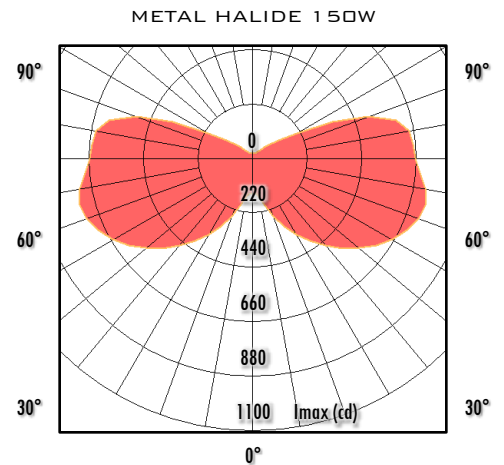
MODEL.	RECOMMENDED LAMP.		LAMP BASE.	POWER AT 240V
AL-341	SODIUM-T	70W - 100W - 150W	E27, E40	1.20~0.75 amp
	METAL HALIDE-T	150W	E27, E40	1.20~0.75 amp
	GE Biax™ T/E	32W - 42W	GX24q-3	0.22~0.20 amp
	PLC-E	45W - 55W - 65W	E27, E40	0.39~0.25 amp

SPECIFICATION

- DIE CAST ALUMINIUM ALLOY BODY AND COMPONENT.
- ELECTROSTATICALLY COATED WITH EPOXY / POLYESTER POWDER.
- STAINLESS STEEL SCREWS.
- ACRYLIC DIFFUSER, FROSTED.
- SEALED WITH SILICONE GASKETS.
- DEGREE OF PROTECTION: IP65.
- TYPE OF PROTECTION: CLASS 1.

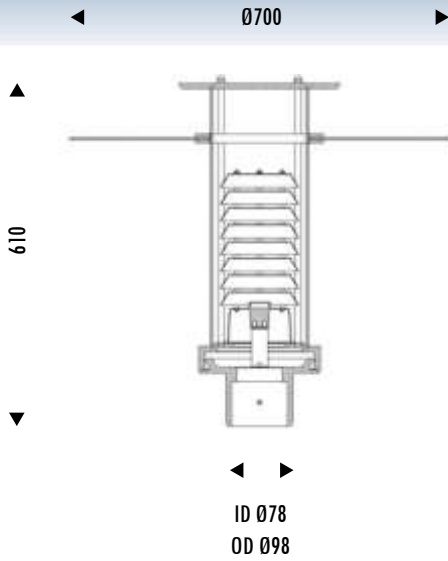


LIGHT DISTRIBUTION



MODEL.	RECOMMENDED LAMP.		LAMP BASE.	POWER AT 240V
AL-351	SODIUM-T	70W - 100W - 150W	E27, E40	1.20~0.75 amp
	METAL HALIDE-T	150W	E27, E40	1.20~0.75 amp
	GE Biax™ T/E	32W - 42W	GX24q-3	0.22~0.20 amp
	PLC-E	45W - 55W - 65W	E27, E40	0.39~0.25 amp

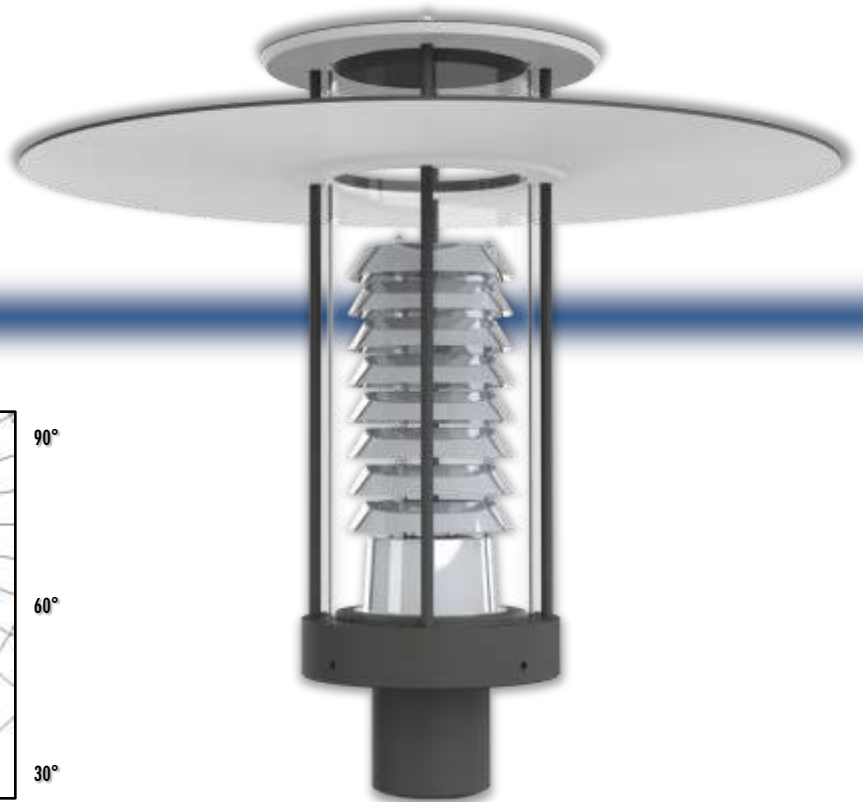
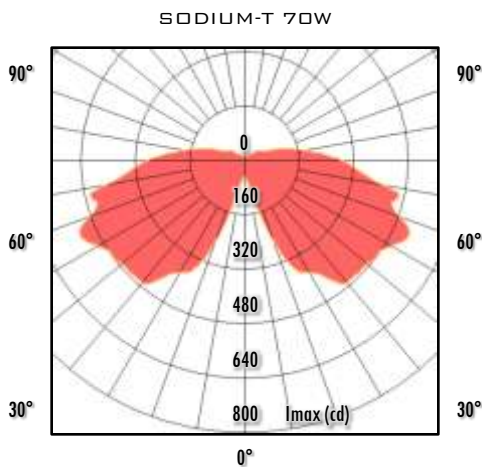
MODEL : AL-401



SPECIFICATION

- DIE CAST ALUMINIUM ALLOY BODY AND COMPONENT.
- ELECTROSTATICALLY COATED WITH EPOXY / POLYESTER POWDER.
- ANODIZED ALUMINIUM LOUVER.
- STAINLESS STEEL SCREWS.
- ACRYLIC DIFFUSER, CLEAR.
- SEALED WITH SILICONE GASKETS.
- DEGREE OF PROTECTION: IP65.
- TYPE OF PROTECTION: CLASS 1.

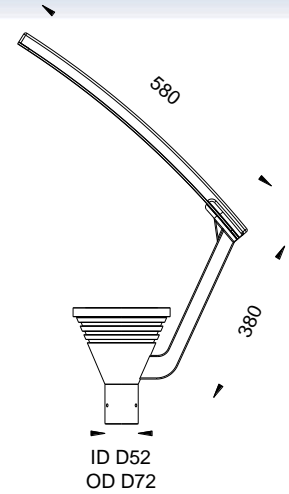
LIGHT DISTRIBUTION



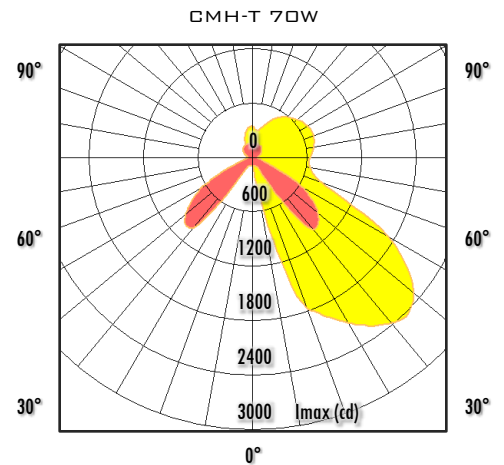
MODEL.	RECOMMENDED LAMP.		LAMP BASE.	POWER AT 240V
AL-401	SODIUM-T	70W - 100W - 150W	E27, E40	1.20~0.75 amp
	METAL HALIDE-T	150W	E27, E40	1.20~0.75 amp
	GE Biax™ T/E	32W - 42W	GX24q-3	0.22~0.20 amp
	PLC-E	45W - 55W - 65W	E27, E40	0.39~0.25 amp

SPECIFICATION

- DIE CAST ALUMINIUM ALLOY BODY AND COMPONENTS.
- ELECTROSTATICALLY COATED WITH EPOXY / POLYESTER POWDER.
- STAINLESS STEEL SCREWS.
- ANODIZED ALUMINIUM REFLECTOR.
- PROTECTIVE TEMPERED GLASS DIFFUSER.
- SEALED WITH SILICONE GASKETS.
- DEGREE OF PROTECTION IP65.
- TYPE OF PROTECTION : CLASS 1.

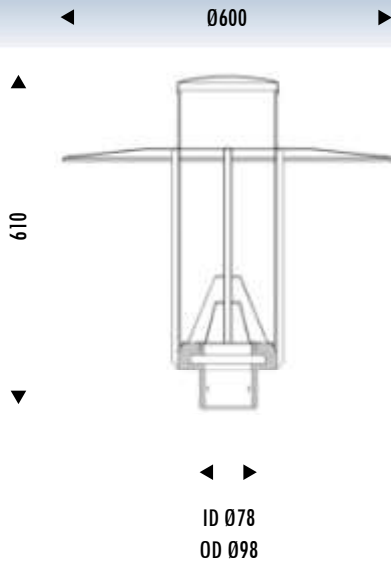


LIGHT DISTRIBUTION



MODEL.	RECOMMENDED LAMP.		LAMP BASE.	POWER AT 240V
AL-402	CMH-T	35W - 150W	G12	1.20~0.75 amp

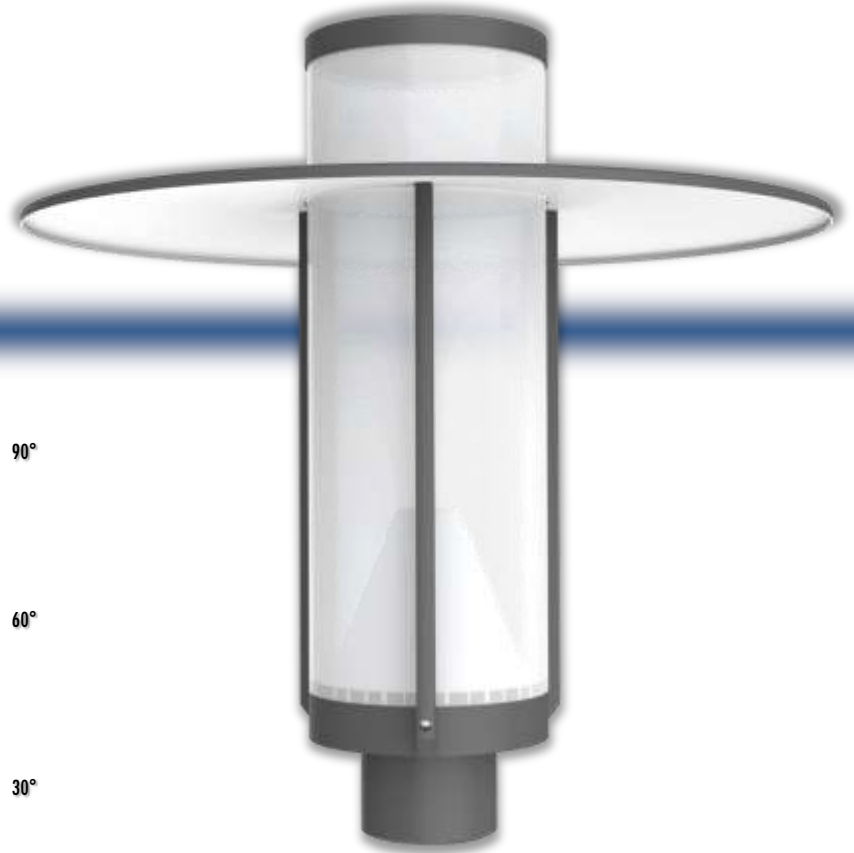
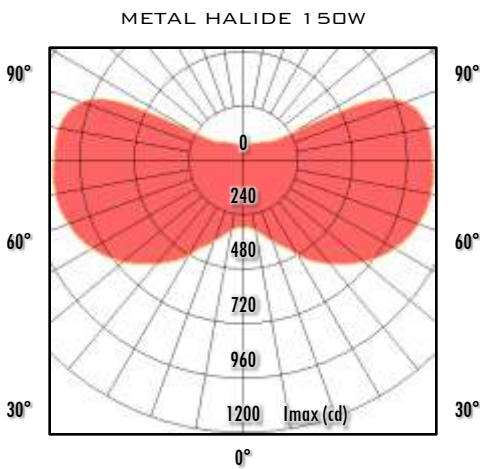
MODEL : AL-421



SPECIFICATION

- DIE CAST ALUMINIUM ALLOY BODY AND COMPONENT.
- ELECTROSTATICALLY COATED WITH EPOXY / POLYESTER POWDER.
- STAINLESS STEEL SCREWS.
- ACRYLIC DIFFUSER, FROSTED.
- SEALED WITH SILICONE GASKETS.
- DEGREE OF PROTECTION: IP65.
- TYPE OF PROTECTION: CLASS 1.

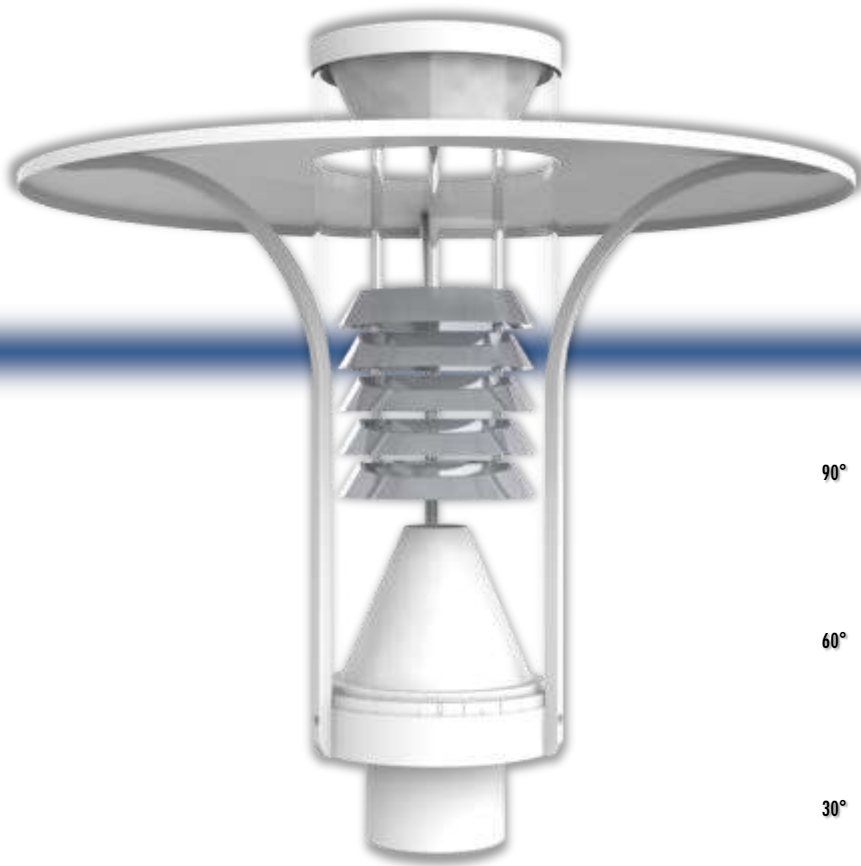
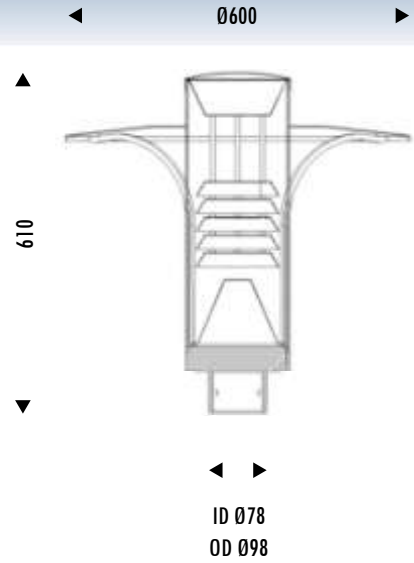
LIGHT DISTRIBUTION



MODEL.	RECOMMENDED LAMP.		LAMP BASE.	POWER AT 240V
AL-421	SODIUM-T	70W - 100W - 150W	E27, E40	1.20~0.75 amp
	METAL HALIDE-T	150W	E27, E40	1.20~0.75 amp
	GE Biax™ T/E	32W - 42W	GX24q-3	0.22~0.20 amp
	PLC-E	45W - 55W - 65W	E27, E40	0.39~0.25 amp

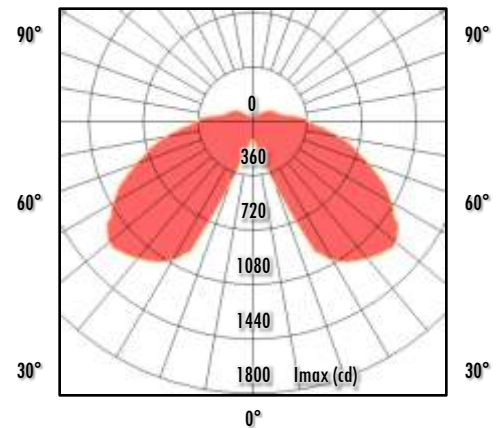
SPECIFICATION

- DIE CAST ALUMINIUM ALLOY BODY AND COMPONENT.
- ELECTROSTATICALLY COATED WITH EPOXY / POLYESTER POWDER.
- ANODIZED ALUMINIUM LOUVER.
- STAINLESS STEEL SCREWS.
- ACRYLIC DIFFUSER, CLEAR.
- SEALED WITH SILICONE GASKETS.
- DEGREE OF PROTECTION: IP65.
- TYPE OF PROTECTION: CLASS 1.



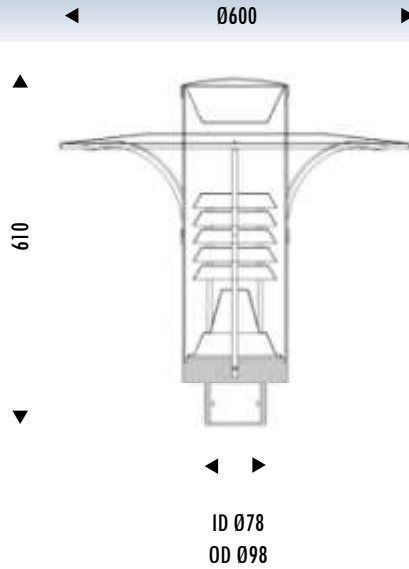
LIGHT DISTRIBUTION

METAL HALIDE 150W



MODEL.	RECOMMENDED LAMP.		LAMP BASE.	POWER AT 240V
AL-431	SODIUM-T	70W - 100W - 150W	E27, E40	1.20~0.75 amp
	METAL HALIDE-T	150W	E27, E40	1.20~0.75 amp
	GE Biax™ T/E	32W - 42W	GX24q-3	0.22~0.20 amp
	PLC-E	45W - 55W - 65W	E27, E40	0.39~0.25 amp

MODEL : AL-441

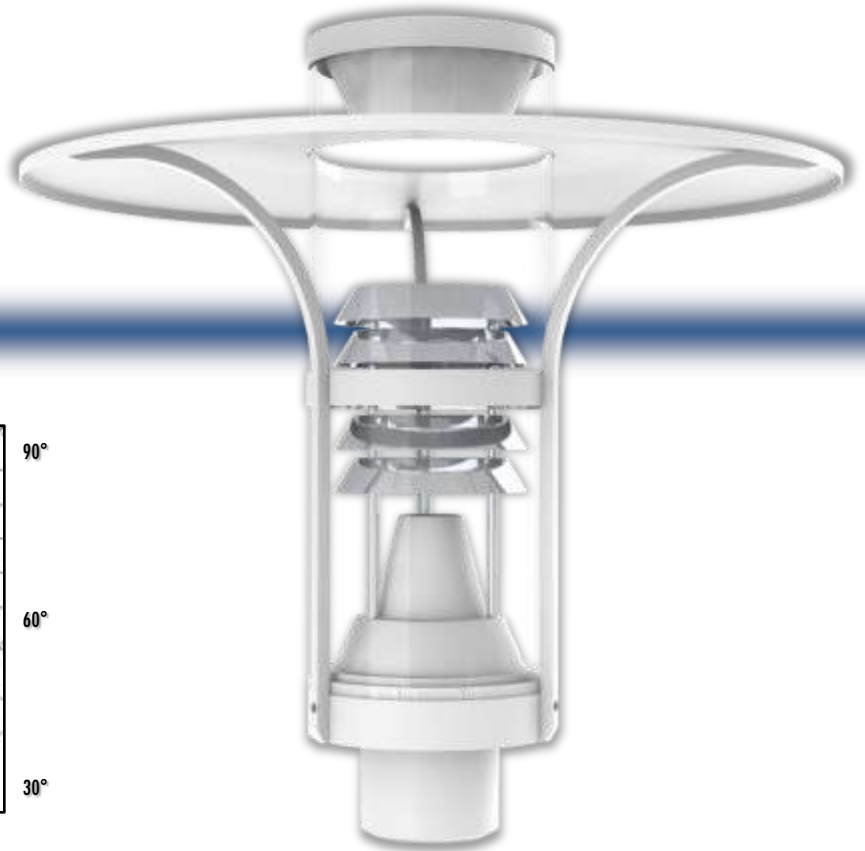
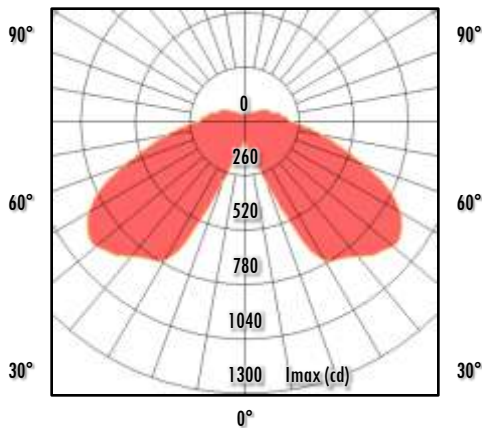


SPECIFICATION

- DIE CAST ALUMINIUM ALLOY BODY AND COMPONENTS.
- ELECTROSTATICALLY COATED WITH EPOXY / POLYESTER POWDER.
- ANODIZED ALUMINIUM LOUVER.
- STAINLESS STEEL SCREWS.
- ACRYLIC DIFFUSER, CLEAR.
- SEALED WITH SILICONE GASKETS.
- DEGREE OF PROTECTION: IP65.
- TYPE OF PROTECTION: CLASS 1.

LIGHT DISTRIBUTION

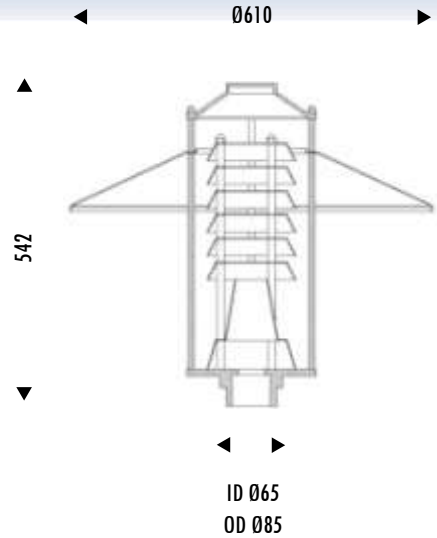
METAL HALIDE 150W



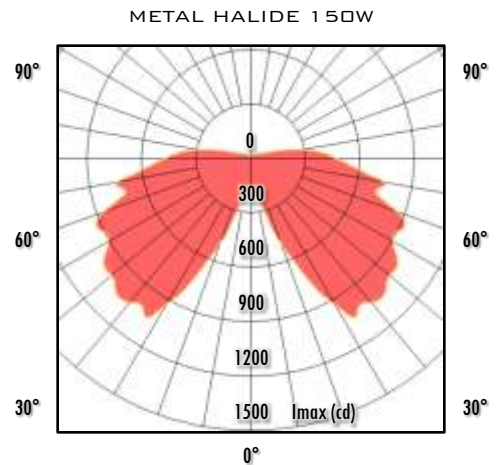
MODEL.	RECOMMENDED LAMP.		LAMP BASE.	POWER AT 240V
AL-441	SODIUM-T	70W - 100W - 150W	E27, E40	1.20~0.75 amp
	METAL HALIDE-T	150W	E27, E40	1.20~0.75 amp
	GE Biax™ T/E	32W - 42W	GX24q-3	0.22~0.20 amp
	PLC-E	45W - 55W - 65W	E27, E40	0.39~0.25 amp

SPECIFICATION

- DIE CAST ALUMINIUM ALLOY BODY AND COMPONENT.
- ELECTROSTATICALLY COATED WITH EPOXY / POLYESTER POWDER.
- ANODIZED ALUMINIUM LOUVER.
- STAINLESS STEEL SCREWS.
- ACRYLIC DIFFUSER, CLEAR.
- SEALED WITH SILICONE GASKETS.
- DEGREE OF PROTECTION: IP65.
- TYPE OF PROTECTION : CLASS 1.

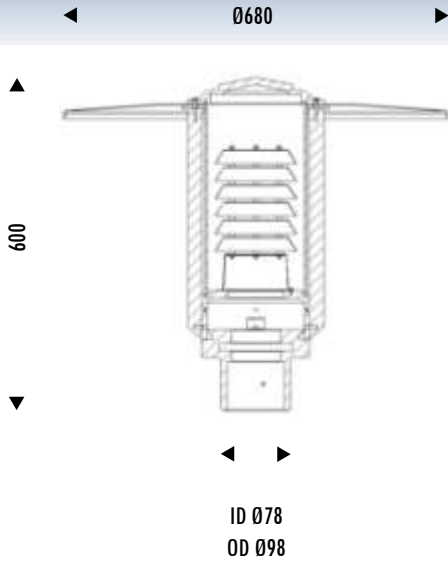


LIGHT DISTRIBUTION



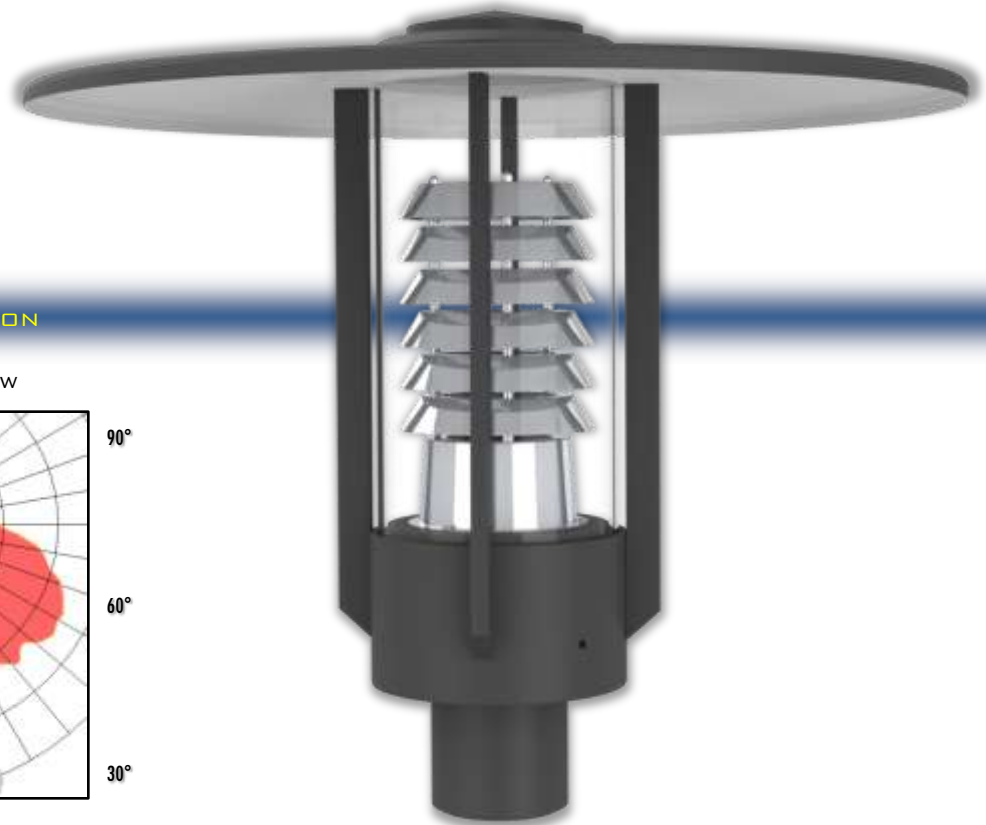
MODEL.	RECOMMENDED LAMP.		LAMP BASE.	POWER AT 240V
AL-442	SODIUM-T	70W - 100W - 150W	E27, E40	1.20~0.75 amp
	METAL HALIDE-T	150W	E27, E40	1.20~0.75 amp
	GE Biax™ T/E	32W - 42W	GX24q-3	0.22~0.20 amp
	PLC-E	45W - 55W - 65W	E27, E40	0.39~0.25 amp

MODEL : AL-501

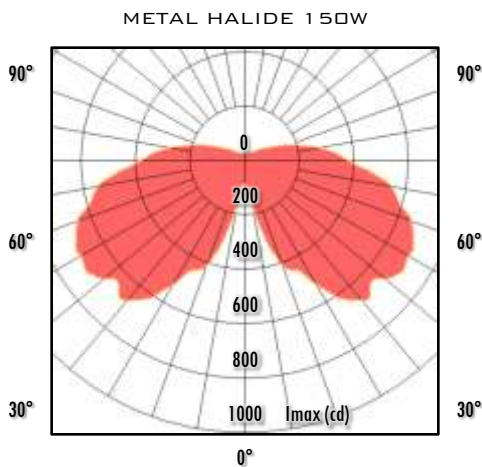


SPECIFICATION

- DIE CAST ALUMINIUM ALLOY BODY AND COMPONENT.
- ELECTROSTATICALLY COATED WITH EPOXY / POLYESTER POWDER.
- ANODIZED ALUMINIUM LOUVER.
- STAINLESS STEEL SCREWS.
- ACRYLIC DIFFUSER, CLEAR.
- SEALED WITH SILICONE GASKETS.
- DEGREE OF PROTECTION: IP65.
- TYPE OF PROTECTION: CLASS 1.



LIGHT DISTRIBUTION



MODEL.	RECOMMENDED LAMP.		LAMP BASE.	POWER AT 240V
AL-501	SODIUM-T	70W - 100W - 150W	E27, E40	1.20~0.75 amp
	METAL HALIDE-T	150W	E27, E40	1.20~0.75 amp
	GE Biax™ T/E	32W - 42W	GX24q-3	0.22~0.20 amp
	PLC-E	45W - 55W - 65W	E27, E40	0.39~0.25 amp



PG: 19



PG: 20



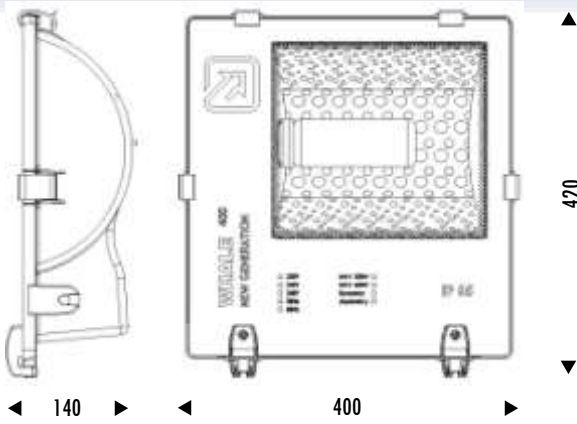
PG: 21



PG: 22

FLOOD LIGHT

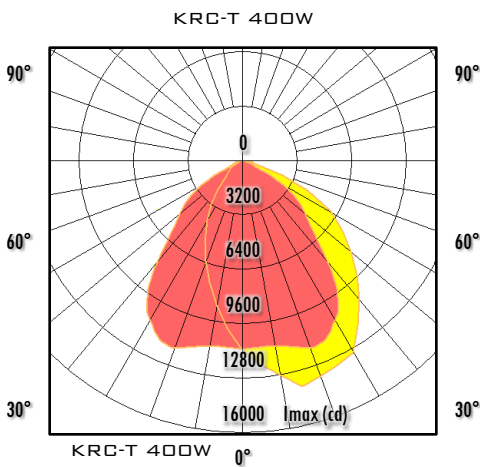
MODEL : WHALE 400



SPECIFICATION

- BODY OF DIE-CASTING ALUMINIUM.
- ELECTROSTATIC POLYESTER POWDER COATED.
- PROTECTIVE TEMPERED GLASS DIFFUSER.
- ANODIZED ALUMINIUM REFLECTOR.
- BUILT IN GEAR CHAMBER.
- STAINLESS STEEL SCREWS.
- SEALED WITH SILICONE GASKET.
- COLOUR WITH MATT BLACK & MATT WHITE.
- DEGREE OF PROTECTION: IP65.
- TYPE OF PROTECTION: CLASS 1.

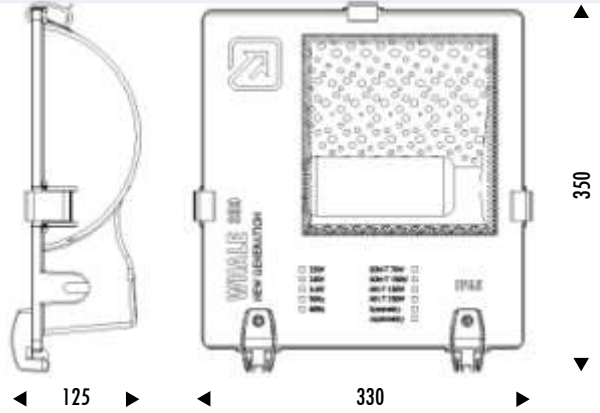
LIGHT DISTRIBUTION



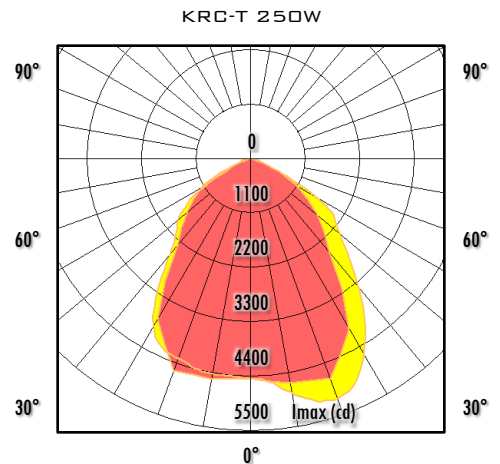
MODEL.	LAMP POSITION	RECOMMENDED LAMP.	LAMP BASE.	POWER AT 240V
WHALE 400	Symmetry	KRC-T 250W	E40	1.80~1.12 amp
	Asymmetry	KRC-T 250W	E40	1.80~1.12 amp
	Symmetry	KRC-T 400W	E40	2.90~1.90 amp
	Asymmetry	KRC-T 400W	E40	2.90~1.90 amp

SPECIFICATION

- BODY OF DIE-CASTING ALUMINIUM.
- ELECTROSTATICAL POLYESTER POWDER COATED.
- PROTECTIVE TEMPERED GLASS DIFFUSER.
- ANODIZED ALUMINIUM REFLECTOR.
- BUILT IN GEAR CHAMBER.
- STAINLESS STEEL SCREWS.
- SEALED WITH SILICONE GASKET.
- COLOUR WITH MATT BLACK & MATT WHITE.
- DEGREE OF PROTECTION: IP65.
- TYPE OF PROTECTION: CLASS 1.

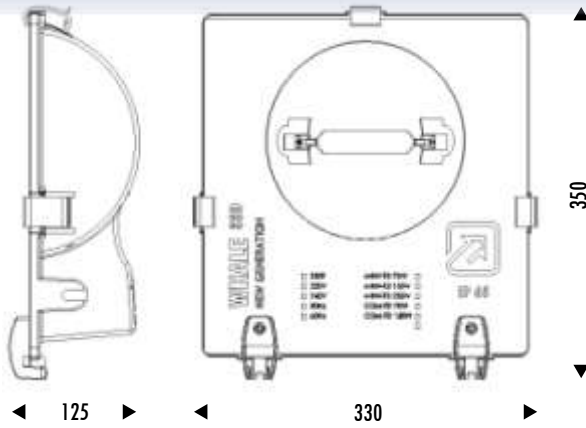


LIGHT DISTRIBUTION



MODEL.	LAMP POSITION	RECOMMENDED LAMP.	LAMP BASE.	POWER AT 240V
WHALE 330	Symmetry	ARC-T 250W	E40	1.80~1.12 amp
	Asymmetry	ARC-T 250W	E40	1.80~1.12 amp

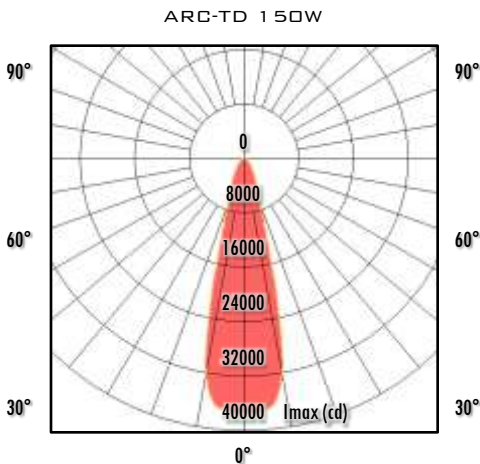
MODEL : WHALE 330 SILL



SPECIFICATION

- BODY OF DIE-CASTING ALUMINIUM.
- ELECTROSTATICAL POLYESTER POWDER COATED.
- PROTECTIVE TEMPERED GLASS DIFFUSER.
- ANODIZED ALUMINIUM REFLECTOR.
- BUILT IN GEAR CHAMBER.
- STAINLESS STEEL SCREWS.
- SEALED WITH SILICONE GASKET.
- COLOUR WITH MATT BLACK & MATT WHITE.
- DEGREE OF PROTECTION: IP65.
- TYPE OF PROTECTION: CLASS 1.

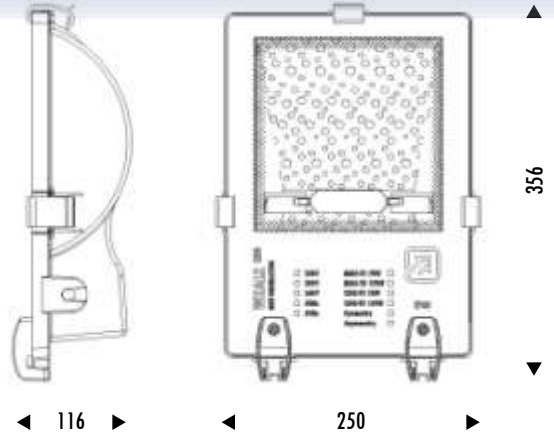
LIGHT DISTRIBUTION



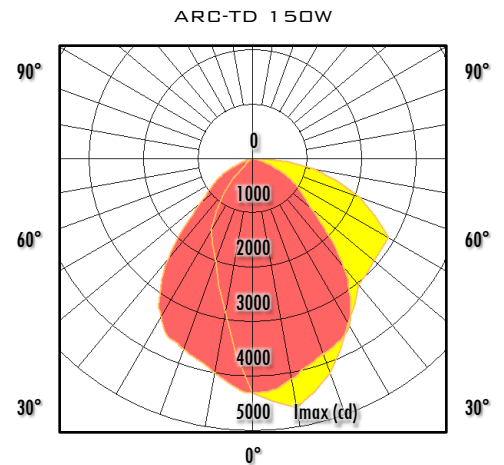
MODEL.	RECOMMENDED LAMP.	LAMP BASE.	POWER AT 240V
WHALE 330 SILL	ARC-TD 150W	RX7S-24	1.20~0.70 amp
	ARC-TD 250W	FC-2	2.10~1.40 amp

SPECIFICATION

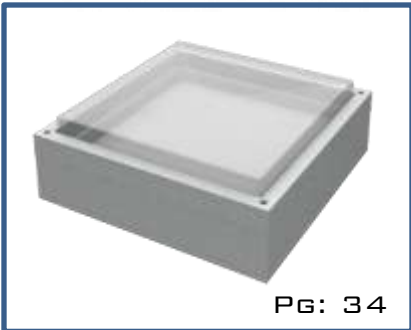
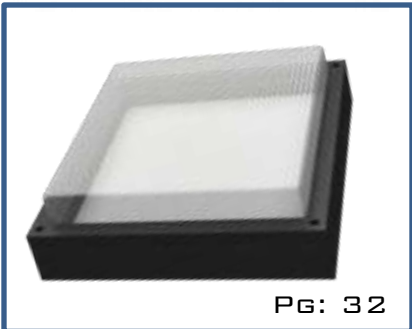
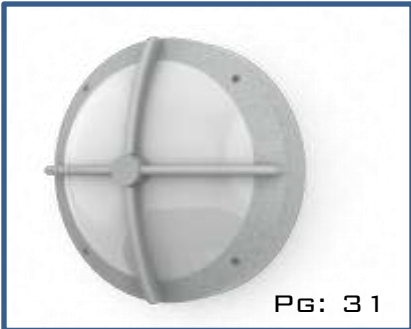
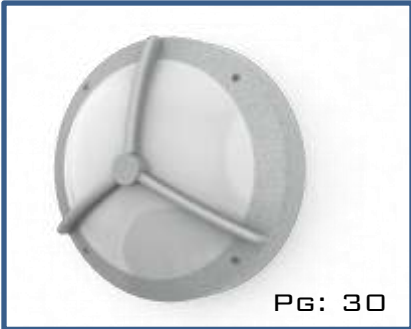
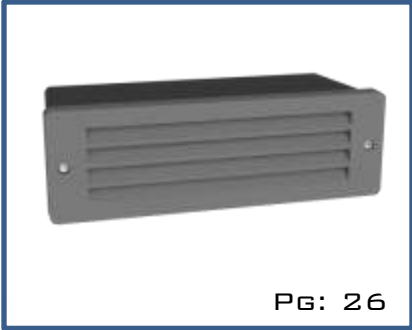
- BODY OF DIE-CASTING ALUMINIUM.
- ELECTROSTATICAL POLYESTER POWDER COATED.
- PROTECTIVE TEMPERED GLASS DIFFUSER.
- ANODIZED ALUMINIUM REFLECTOR.
- BUILT IN GEAR CHAMBER.
- STAINLESS STEEL SCREWS.
- SEALED WITH SILICONE GASKET.
- COLOUR WITH MATT BLACK & MATT WHITE.
- DEGREE OF PROTECTION: IP65.
- TYPE OF PROTECTION: CLASS 1.



LIGHT DISTRIBUTION



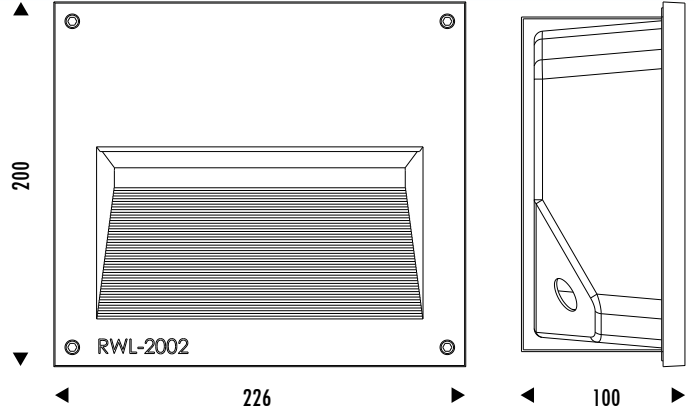
MODEL.	LAMP POSITION	RECOMMENDED LAMP.	LAMP BASE.	POWER AT 240V
WHALE 250	Symmetry	ARC-TD 70W	RX7S	0.70~0.43 amp
	Symmetry	ARC-TD 150W	RX7S-24	1.20~0.70 amp
	Asymmetry	ARC-TD 70W	RX7S	0.70~0.43 amp
	Asymmetry	ARC-TD 150W	RX7S-24	1.20~0.70 amp



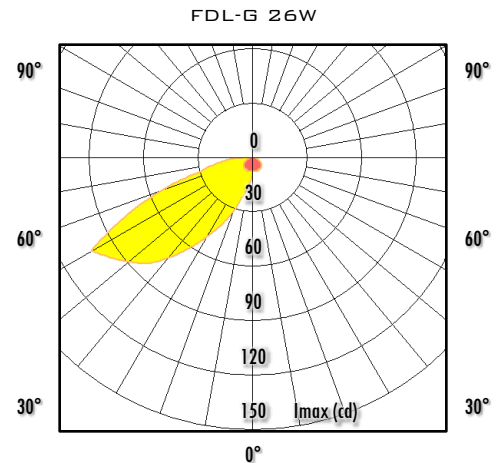
WALL LIGHT

SPECIFICATION

- DIE-CAST ALUMINIUM HOUSING AND FRONT COVER.
- ELECTROSTATICAL POLYESTER POWDER COATED.
- FROSTED GLASS DIFFUSER.
- STAINLESS STEEL SCREWS.
- SEALED WITH SILICONE GASKET.
- COLOUR WITH MATT BLACK & MATT WHITE.
- INTERNAL CONTROL GEAR.
- METAL RECESSED BOX.
- DEGREE OF PROTECTION: IP65.
- TYPE OF PROTECTION: CLASS 1.

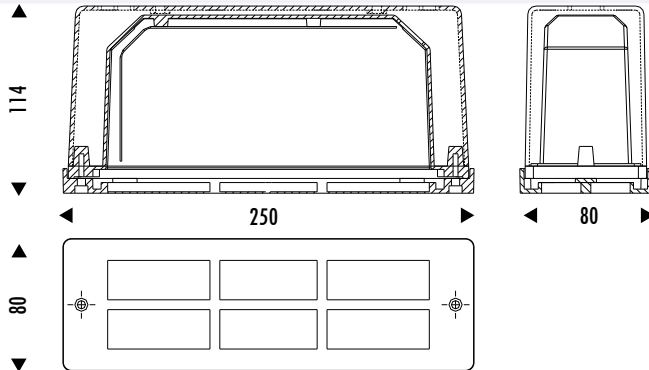


LIGHT DISTRIBUTION



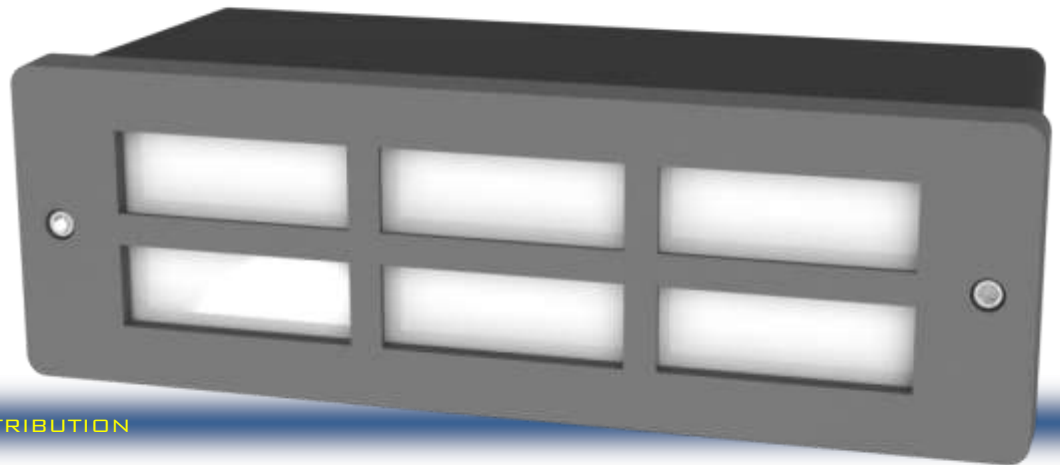
MODEL.	RECOMMENDED LAMP.	LAMP BASE.	POWER AT 240V
WL 2002/R	1 x FDL-G 26W	1 x G24d-3	0.33~0.30 amp

MODEL : WL 80/R-SQ

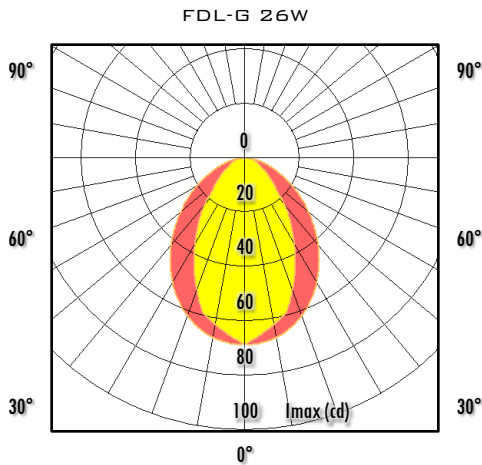


SPECIFICATION

- DIE-CAST ALUMINIUM HOUSING AND FRONT COVER.
- ELECTROSTATIC POLYESTER POWDER COATED.
- FROSTED GLASS DIFFUSER.
- STAINLESS STEEL SCREWS.
- SEALED WITH SILICONE GASKET.
- COLOUR WITH MATT BLACK, MATT SILVER, MATT WHITE.
- PLASTIC RECESS BOX.
- DEGREE OF PROTECTION: IP65.
- TYPE OF PROTECTION: CLASS 1.



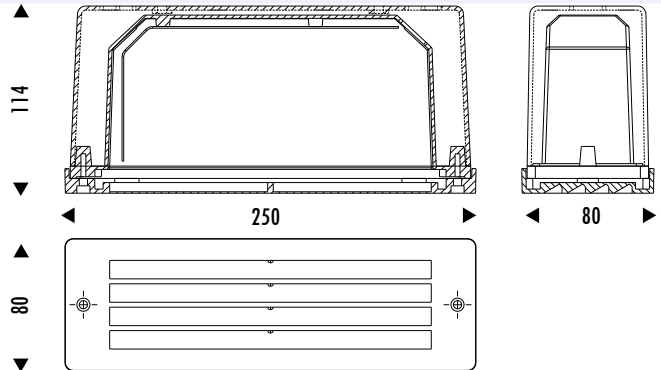
LIGHT DISTRIBUTION



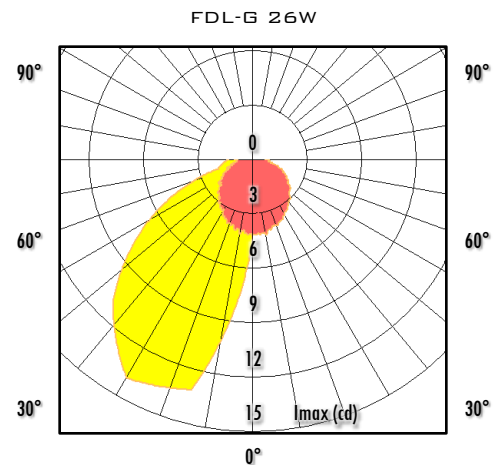
MODEL.	RECOMMENDED LAMP.	LAMP BASE.	POWER AT 240V
WL 80/R-SQ	1 x FDL-G 26W	1 x G24d-3	0.33~0.30 amp

SPECIFICATION

- DIE-CAST ALUMINIUM HOUSING AND FRONT COVER.
- ELECTROSTATICAL POLYESTER POWDER COATED.
- FROSTED GLASS DIFFUSER.
- STAINLESS STEEL SCREWS.
- SEALED WITH SILICONE GASKET.
- COLOUR WITH MATT BLACK, MATT SILVER & MATT WHITE.
- PLASTIC RECESS BOX.
- DEGREE OF PROTECTION: IP65.
- TYPE OF PROTECTION: CLASS 1.

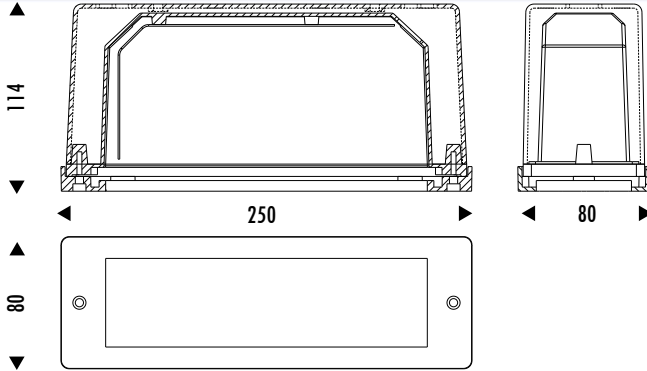


LIGHT DISTRIBUTION



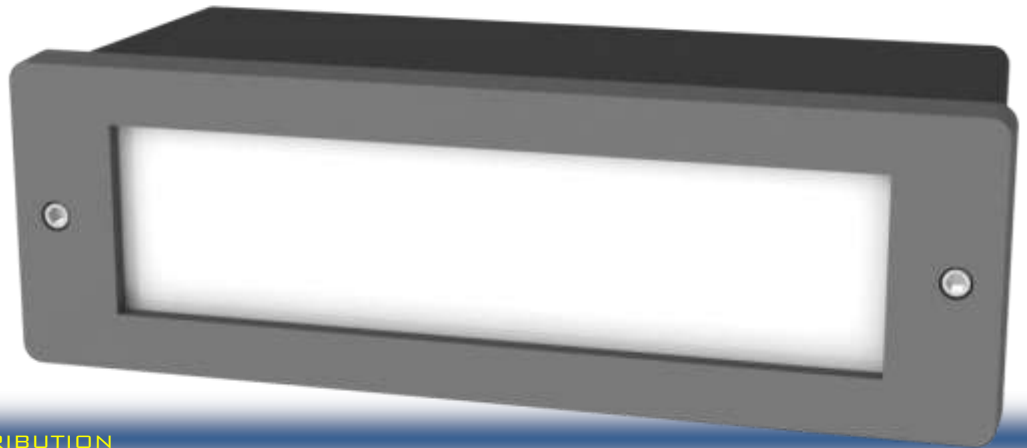
MODEL.	RECOMMENDED LAMP.	LAMP BASE.	POWER AT 240V
WL 80/R-ST	1 x FDL-G 26W	1 x G24d-3	0.33~0.30 amp

MODEL : WL 80/R-SQ-B

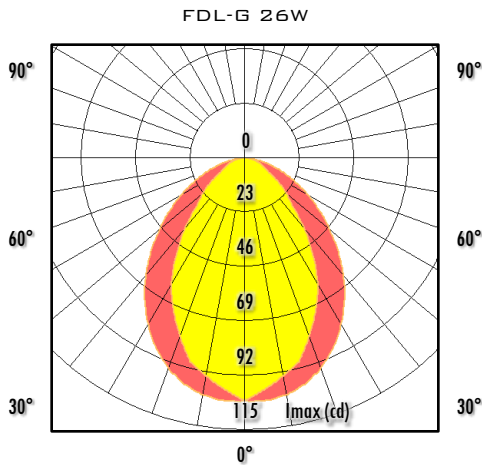


SPECIFICATION

- DIE-CAST ALUMINIUM HOUSING AND FRONT COVER.
- ELECTROSTATIC POLYESTER POWDER COATED.
- FROSTED GLASS DIFFUSER.
- STAINLESS STEEL SCREWS.
- SEALED WITH SILICONE GASKET.
- COLOUR WITH MATT BLACK, MATT SILVER & MATT WHITE.
- PLASTIC RECESS BOX.
- DEGREE OF PROTECTION: IP65.
- TYPE OF PROTECTION: CLASS 1.



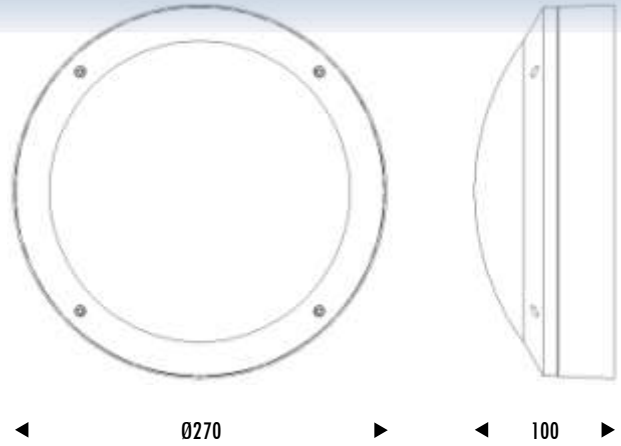
LIGHT DISTRIBUTION



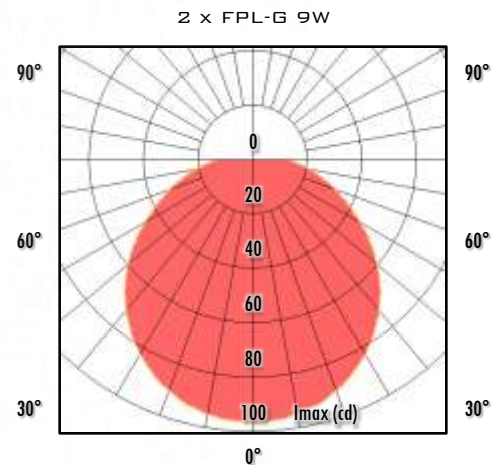
MODEL.	RECOMMENDED LAMP.	LAMP BASE.	POWER AT 240V
WL 80/R-SQ-B	1 x FDL-G 26W	1 x G24d-3	0.33~0.30 amp

SPECIFICATION

- DIE-CAST ALUMINIUM HOUSING AND FRONT RIM.
- ELECTROSTATICAL POLYESTER POWDER COATED.
- ACRYLIC OPAL DIFFUSER.
- STAINLESS STEEL SCREWS.
- SEALED WITH SILICONE GASKET.
- COLOUR WITH MATT BLACK & MATT WHITE.
- DEGREE OF PROTECTION: IP65.
- TYPE OF PROTECTION: CLASS 1.

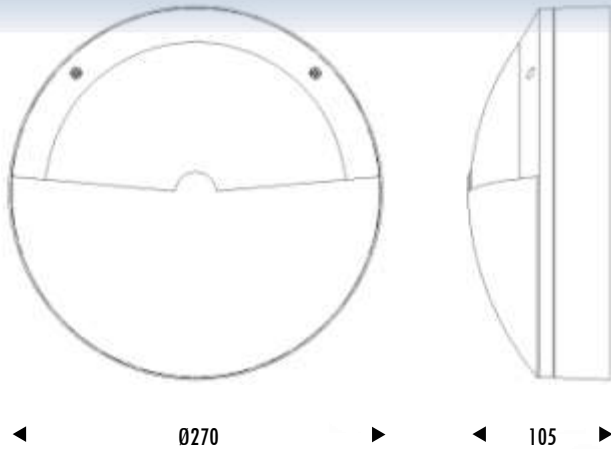


LIGHT DISTRIBUTION



MODEL.	RECOMMENDED LAMP.	LAMP BASE.	POWER AT 240V
WL 270/S-R1	1 x FDL-G 26W	1 x G24d-3	0.33~0.30 amp
	2 x FDL-G 18W	2 x G24d-2	0.48~0.44 amp
	2 x FPL-G 9W	2 x G23	0.36~0.33 amp

MODEL : WL 270/S-R2

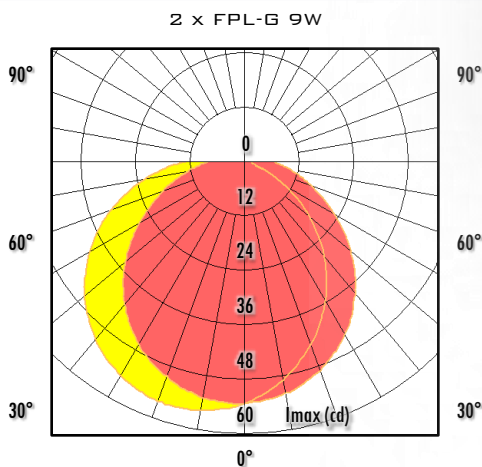


SPECIFICATION

- DIE-CAST ALUMINIUM HOUSING AND FRONT RIM.
- ELECTROSTATICAL POLYESTER POWDER COATED.
- ACRYLIC OPAL DIFFUSER.
- STAINLESS STEEL SCREWS.
- SEALED WITH SILICONE GASKET.
- COLOUR WITH MATT BLACK & MATT WHITE.
- DEGREE OF PROTECTION: IP65.
- TYPE OF PROTECTION: CLASS 1.



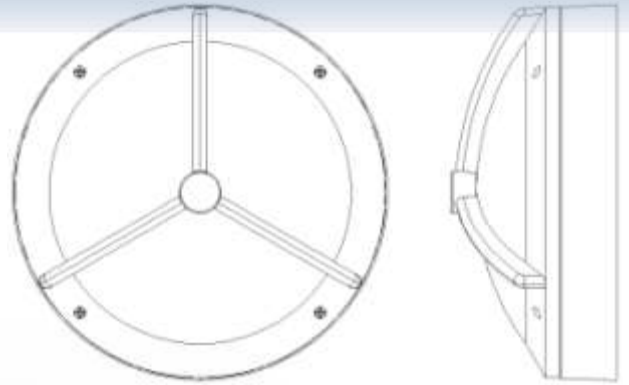
LIGHT DISTRIBUTION



MODEL.	RECOMMENDED LAMP.	LAMP BASE.	POWER AT 240V
WL 270/S-R2	1 x FDL-G 26W	1 x G24d-3	0.33~0.30 amp
	2 x FDL-G 18W	2 x G24d-2	0.48~0.44 amp
	2 x FPL-G 9W	2 x G23	0.36~0.33 amp

SPECIFICATION

- DIE-CAST ALUMINIUM HOUSING AND FRONT RIM.
- ELECTROSTATICAL POLYESTER POWDER COATED.
- ACRYLIC OPAL DIFFUSER.
- STAINLESS STEEL SCREWS.
- SEALED WITH SILICONE GASKET.
- COLOUR WITH MATT BLACK & MATT WHITE.
- DEGREE OF PROTECTION: IP65.
- TYPE OF PROTECTION: CLASS 1.



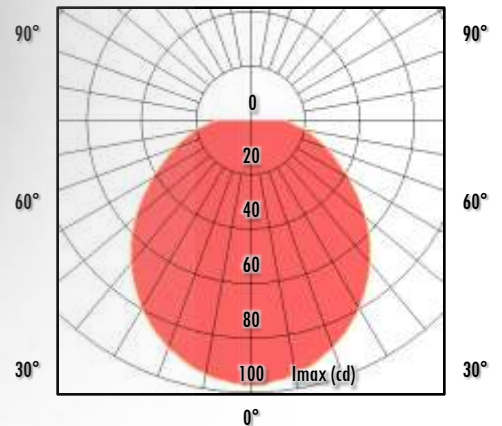
◀ 0270 ▶

◀ 115 ▶



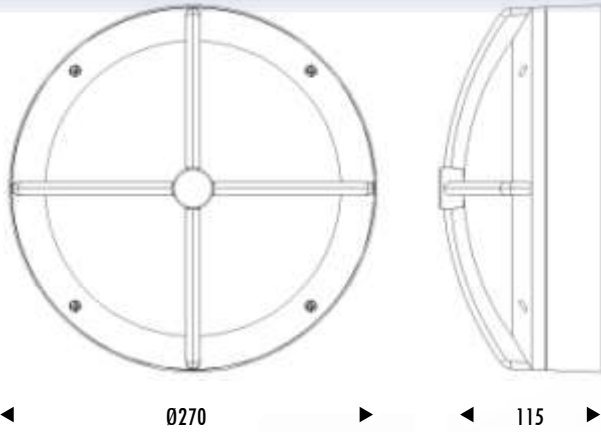
LIGHT DISTRIBUTION

2 x FPL-G 9W



MODEL.	RECOMMENDED LAMP.	LAMP BASE.	POWER AT 240V
WL 270/S-R3	1 x FDL-G 26W	1 x G24d-3	0.33~0.30 amp
	2 x FDL-G 18W	2 x G24d-2	0.48~0.44 amp
	2 x FPL-G 9W	2 x G23	0.36~0.33 amp

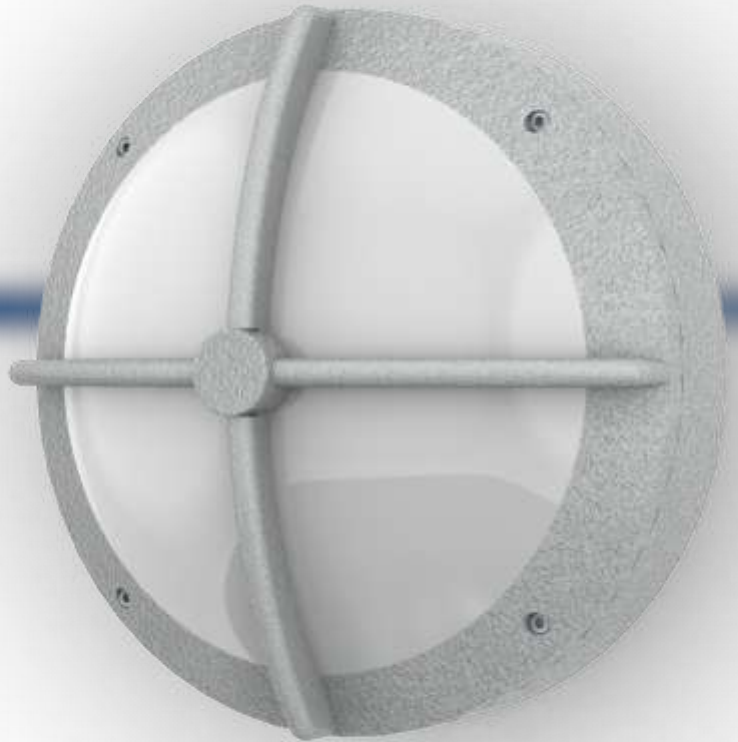
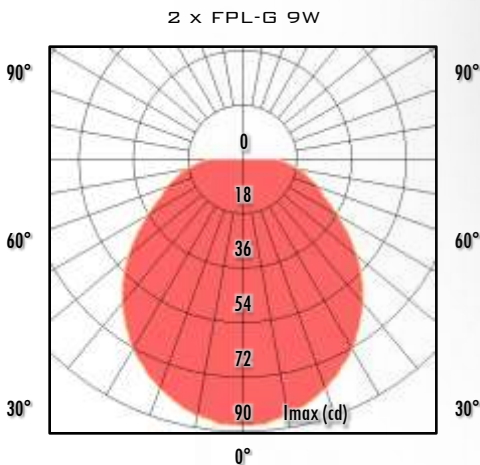
MODEL : WL 270/S-R4



SPECIFICATION

- DIE-CAST ALUMINIUM HOUSING AND FRONT RIM.
- ELECTROSTATICAL POLYESTER POWDER COATED.
- ACRYLIC OPAL DIFFUSER.
- STAINLESS STEEL SCREWS.
- SEALED WITH SILICONE GASKET.
- COLOUR WITH MATT BLACK & MATT WHITE.
- DEGREE OF PROTECTION: IP65.
- TYPE OF PROTECTION: CLASS 1.

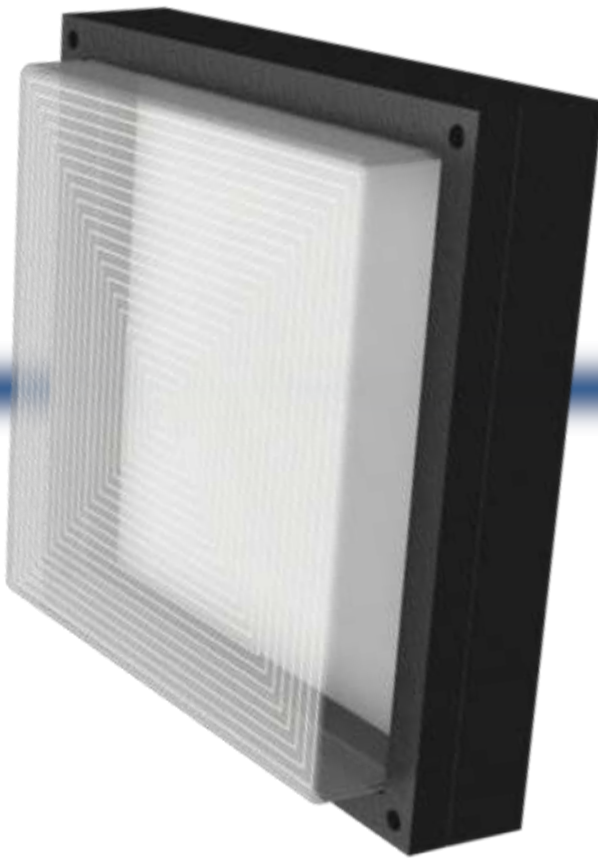
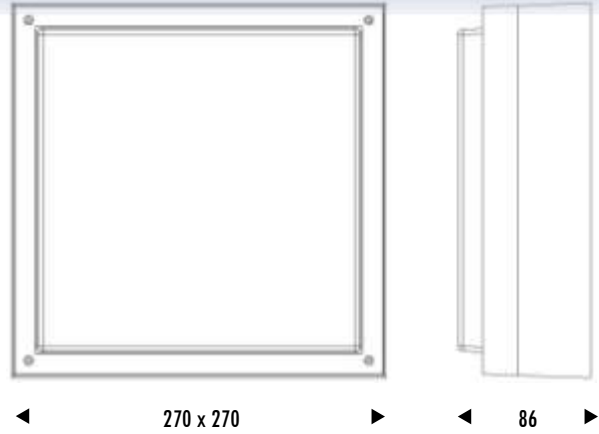
LIGHT DISTRIBUTION



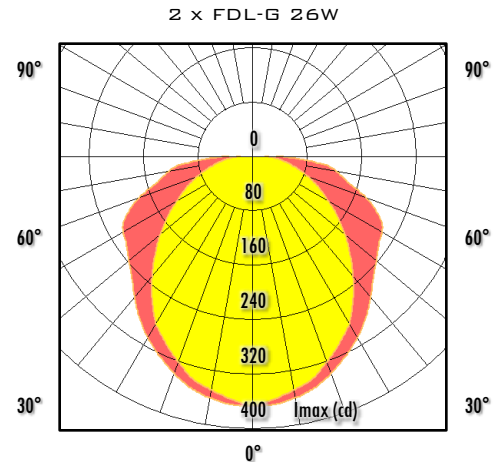
MODEL.	RECOMMENDED LAMP.	LAMP BASE.	POWER AT 240V
WL 270/S-R4	1 x FDL-G 26W	1 x G24d-3	0.33~0.30 amp
	2 x FDL-G 18W	2 x G24d-2	0.48~0.44 amp
	2 x FPL-G 9W	2 x G23	0.36~0.33 amp

SPECIFICATION

- BODY & FRAME OF DIE-CASTING ALUMINIUM.
- ELECTROSTATICAL POLYESTER POWDER COATED.
- ACRYLIC LINEAR DIFFUSER, OPAL.
- STAINLESS STEEL SCREWS.
- SEALED WITH SILICONE GASKET.
- COLOUR WITH MATT BLACK & MATT WHITE.
- INTERNAL CONTROL GEAR.
- DEGREE OF PROTECTION: IP65.
- TYPE OF PROTECTION: CLASS 1.

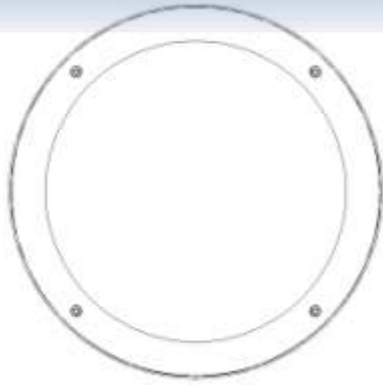


LIGHT DISTRIBUTION

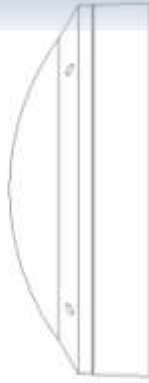


MODEL.	RECOMMENDED LAMP.	LAMP BASE.	POWER AT 240V
WL 270/S-SQ	2 x FDL-G 26W	2 x G24d-3	0.66~0.60 amp
	2 x PL-T 26W	2 x GX24q-3	0.38~0.35 amp

MODEL : WL 360/S-RD



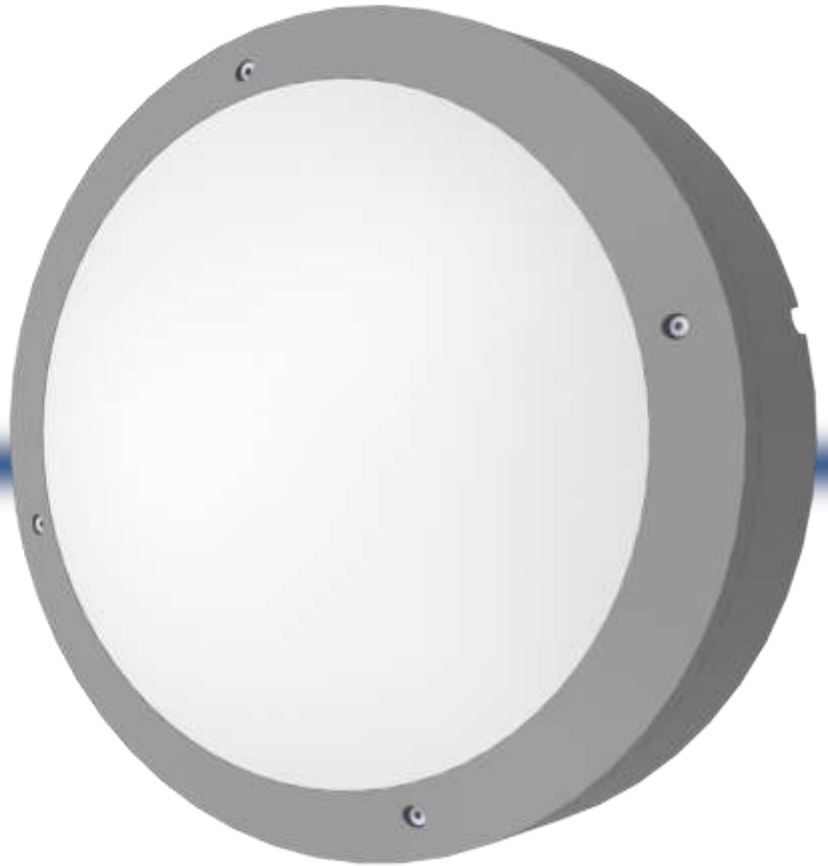
◀ 0360 ▶



◀ 135 ▶

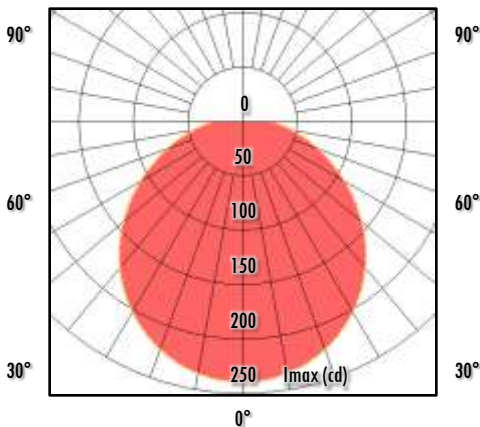
SPECIFICATION

- BODY & RIM OF DIE-CASTING ALUMINIUM.
- ELECTROSTATICAL POLYESTER POWDER COATED.
- ACRYLIC LINEAR DIFFUSER, OPAL / CLEAR.
- STAINLESS STEEL SCREWS.
- SEALED WITH SILICONE GASKET.
- COLOUR WITH MATT BLACK & MATT WHITE.
- DEGREE OF PROTECTION: IP65.
- TYPE OF PROTECTION: CLASS 1.



LIGHT DISTRIBUTION

2 x FDL-G 26W



MODEL.	RECOMMENDED LAMP.	LAMP BASE.	POWER AT 240V
WL 360/S-RD	2 x FDL-G 26W	2 x G24d-3	0.66~0.60 amp
	2 x PL-T 42W	2 x GX24q-3	0.48~0.45 amp

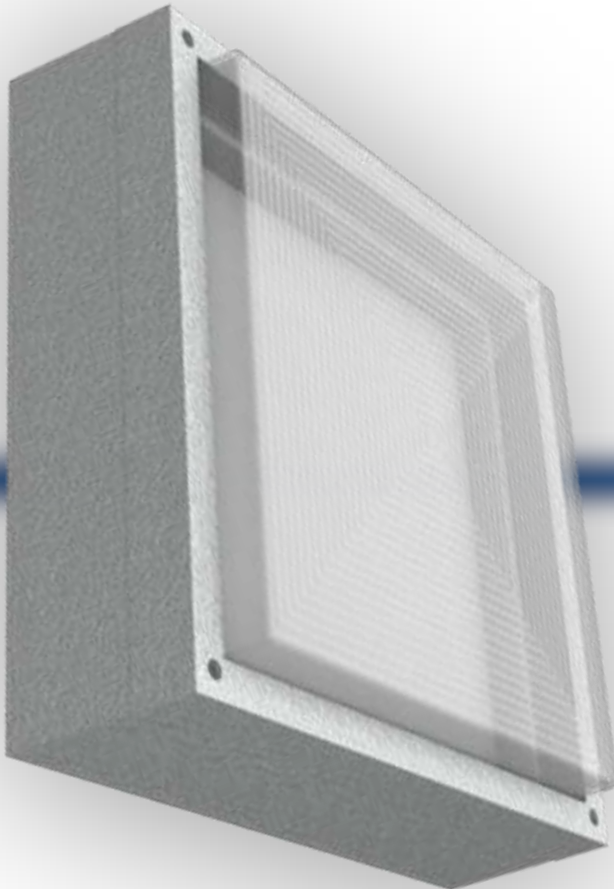
SPECIFICATION

- BODY & FRAME OF DIE-CASTING ALUMINIUM.
- ELECTROSTATIC POLYESTER POWDER COATED.
- ACRYLIC LINEAR DIFFUSER, OPAL / CLEAR.
- STAINLESS STEEL SCREWS.
- SEALED WITH SILICONE GASKET.
- COLOUR WITH MATT BLACK & MATT WHITE.
- DEGREE OF PROTECTION: IP65.
- TYPE OF PROTECTION: CLASS 1.

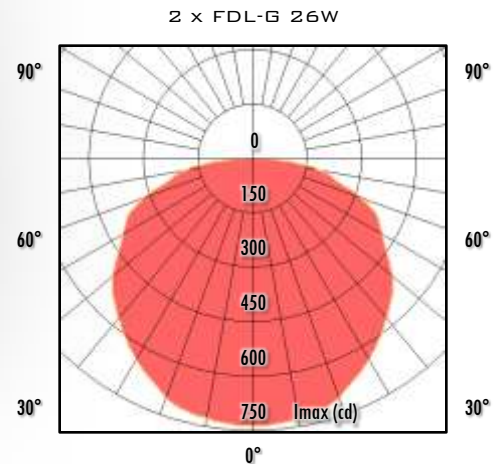


360 x 360

135



LIGHT DISTRIBUTION



MODEL.	RECOMMENDED LAMP.	LAMP BASE.	POWER AT 240V
WL 360/S-SQ	2 x FDL-G 26W	2 x G24d-3	0.66~0.60 amp
	2 x PL-T 42W	2 x GX24q-3	0.48~0.45 amp

MODEL : WL 006/S-SQ



110



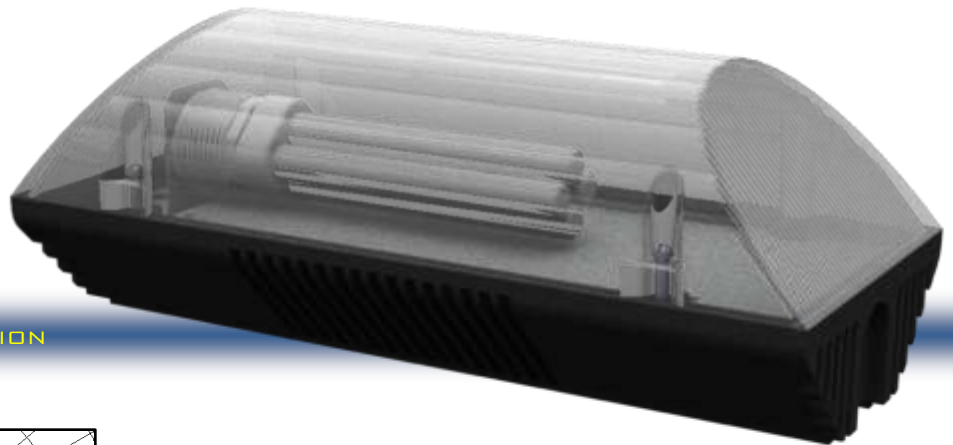
120



290

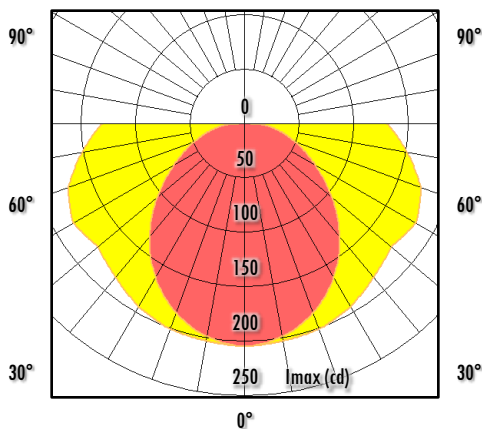
SPECIFICATION

- DIE CAST ALUMINIUM HOUSING.
- ELECTROSTATICAL POLYESTER POWDER COATED.
- ACRYLIC LINEAR DIFFUSER, CLEAR.
- STAINLESS STEEL SCREWS.
- SEALED WITH SILICONE GASKET.
- COLOUR WITH MATT BLACK & MATT WHITE.
- DEGREE OF PROTECTION: IP54.
- TYPE OF PROTECTION: CLASS 1.

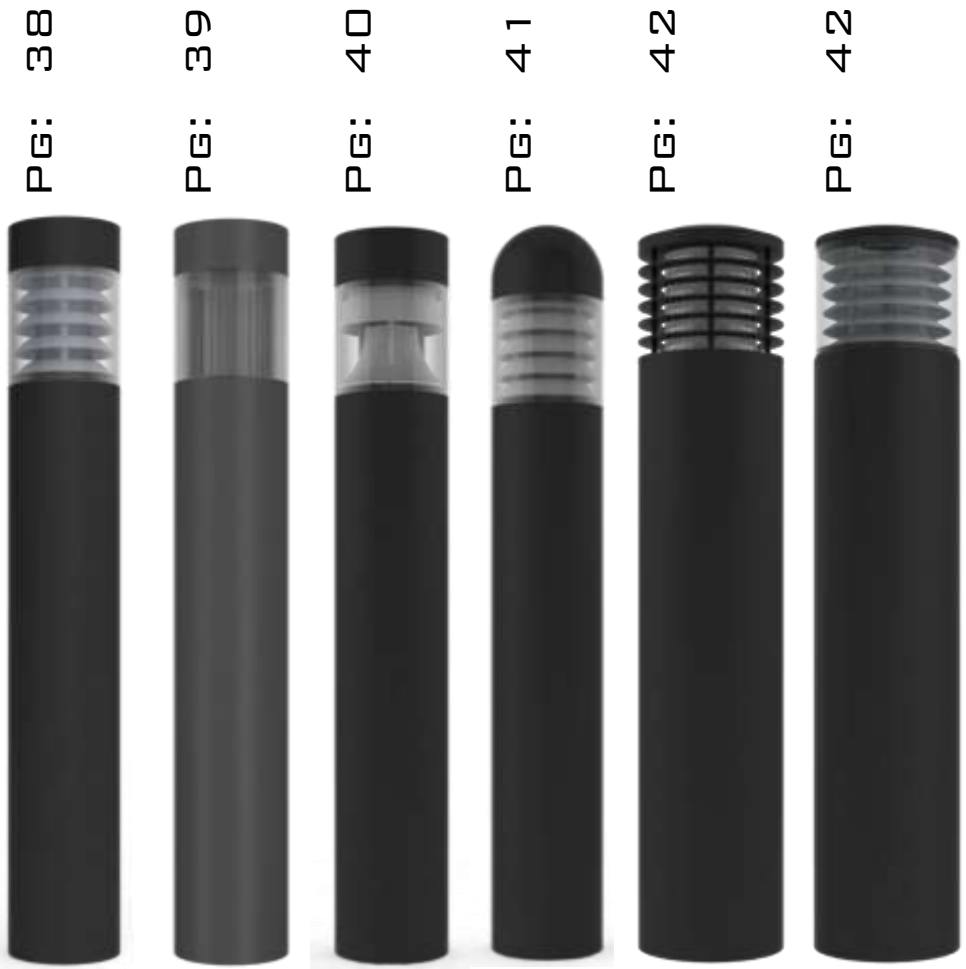


LIGHT DISTRIBUTION

FDL-G 26W

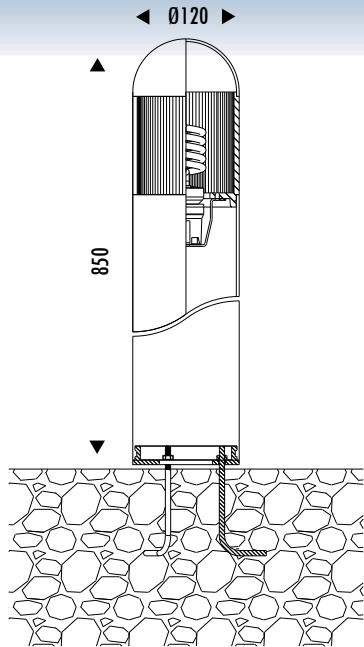


MODEL.	RECOMMENDED LAMP.	LAMP BASE.	POWER AT 240V
WL 006/S-SQ	1 x FPL-G 7, 9, 11W	2 x G23	0.18~0.16 amp
	1 x FDL-G 26W	2 x G24d-3	0.33~0.30 amp



BOLLARD LIGHT

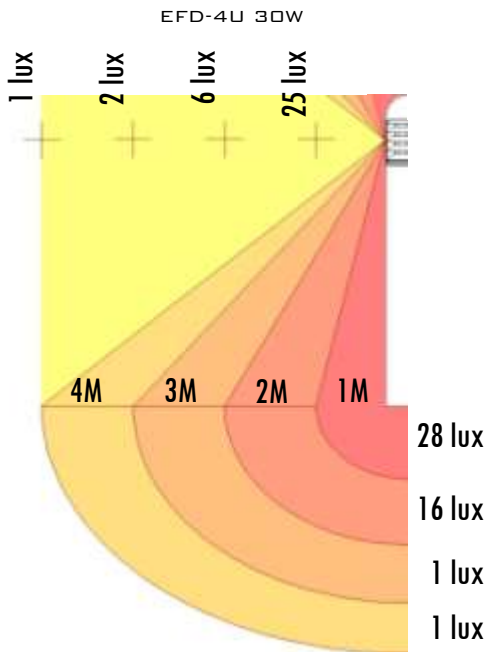
MODEL : **BOL-1201**
BOL-1202



SPECIFICATION

- DIE CAST ALUMINIUM BODY AND COMPONENTS.
- ACRYLIC / POLYCARBONATE DIFFUSER.
- STAINLESS STEEL SCREWS.
- ANODIZED ALUMINIUM LOUVER.
- SEALED WITH SILICONE GASKET.
- POLYESTER POWER COATED.
- MOUNTING BASE.
- AVAILABLE COLOUR : MATT BLACK, MATT SILVER.
- DEGREE OF PROTECTION: IP65.
- TYPE OF PROTECTION: CLASS 1.

LIGHT DISTRIBUTION



BOL-1202



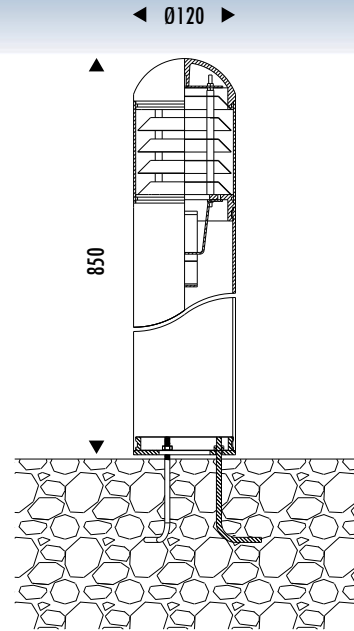
BOL-1201



MODEL.		DIFFUSER.	RECOMMENDED LAMP.		LAMP BASE.	POWER AT 240V
BOL-1201 BOL-1202	ROUND-TOP	CLEAR-LINER	FDL-G	26W	G24d-3	0.33~0.30 amp
	FLAT-TOP		EFD-4U	30W	E27	0.22~0.21 amp

SPECIFICATION

- DIE CAST ALUMINIUM BODY AND COMPONENTS.
- ACRYLIC DIFFUSER.
- STAINLESS STEEL SCREWS.
- ANODIZED ALUMINIUM LOUVER.
- SEALED WITH SILICONE GASKET.
- POLYESTER POWER COATED.
- MOUNTING BASE.
- AVAILABLE COLOUR : MATT BLACK, MATT SILVER.
- DEGREE OF PROTECTION: IP65.
- TYPE OF PROTECTION: CLASS 1.



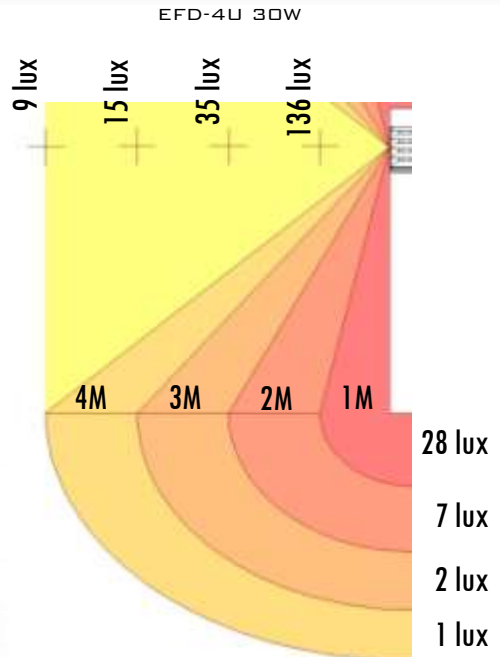
BOL-1204



BOL-1203

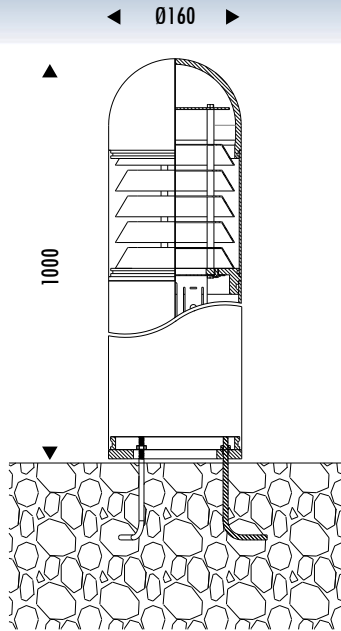


LIGHT DISTRIBUTION



MODEL.	DIFFUSER.	RECOMMENDED LAMP.	LAMP BASE.	POWER AT 240V
BOL-1203	ROUND TOP	FDL-G	26W	0.33~0.30 amp
BOL-1204	FLAT TOP	EFD-4U	30W	0.22~0.21 amp

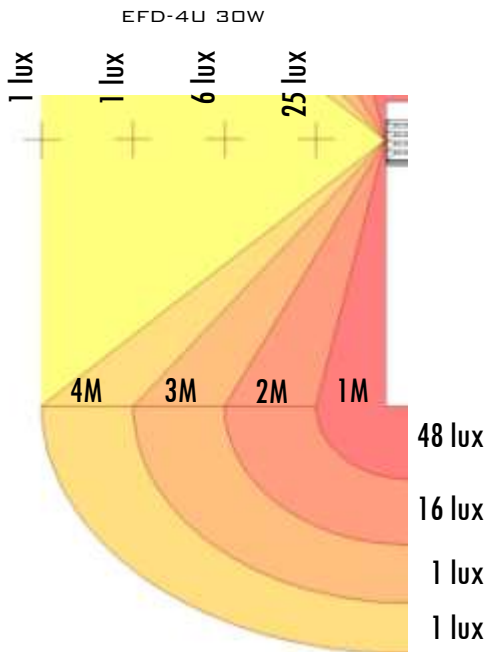
MODEL : **BOL-1603**
BOL-1604



SPECIFICATION

- DIE CAST ALUMINIUM BODY AND COMPONENTS.
- ACRYLIC DIFFUSER.
- STAINLESS STEEL SCREWS.
- ANODIZED ALUMINIUM LOUVER.
- SEALED WITH SILICONE GASKET.
- POLYESTER POWER COATED.
- MOUNTING BASE.
- AVAILABLE COLOUR : MATT BLACK, MATT SILVER.
- DEGREE OF PROTECTION: IP65.
- TYPE OF PROTECTION: CLASS 1.

LIGHT DISTRIBUTION



BOL-1604



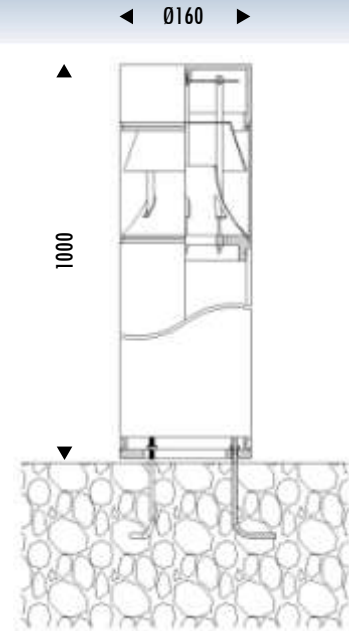
BOL-1603



MODEL.		DIFFUSER.	RECOMMENDED LAMP.		LAMP BASE.	POWER AT 240V
BOL-1603 BOL-1604	ROUND TOP	CLEAR / LOUVER	FDL-G	26W	G24d-3	0.33~0.30 amp
		CLEAR / LOUVER	EFD-4U	30W	E27	0.22~0.21 amp
	FLAT TOP	CLEAR / LOUVER	MERCURY	80W	E27	0.77~0.45 amp
		CLEAR / LOUVER	METAL HALIDE	70W	E27	0.70~0.43 amp

SPECIFICATION

- DIE CAST ALUMINIUM BODY AND COMPONENTS.
- ACRYLIC DIFFUSER.
- STAINLESS STEEL SCREWS.
- ANODIZED ALUMINIUM LOUVER.
- SEALED WITH SILICONE GASKET.
- POLYESTER POWER COATED.
- MOUNTING BASE.
- AVAILABLE COLOUR : MATT BLACK, MATT SILVER.
- DEGREE OF PROTECTION: IP65.
- TYPE OF PROTECTION: CLASS 1.



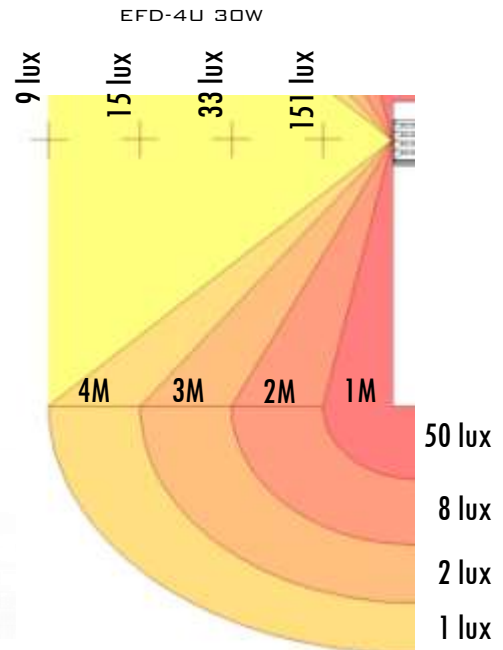
BOL-1605



BOL-1606

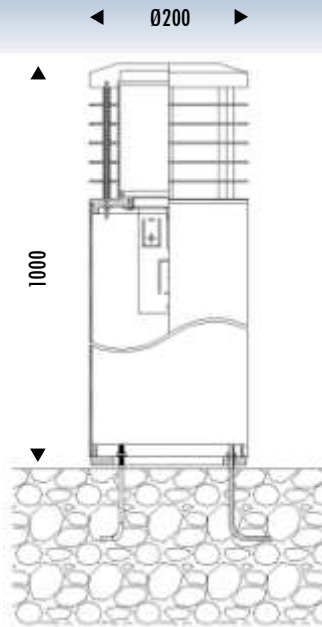


LIGHT DISTRIBUTION



MODEL.		DIFFUSER.	RECOMMENDED LAMP.		LAMP BASE.	POWER AT 240V
BOL-1605 BOL-1606	ROUND TOP	CLEAR / LOUVER	FDL-G	26W	G24d-3	0.33~0.30 amp
		CLEAR / LOUVER	EFD-4U	30W	E27	0.22~0.21 amp
	FLAT TOP	CLEAR / LOUVER	MERCURY	80W	E27	0.77~0.45 amp
		CLEAR / LOUVER	METAL HALIDE	70W	E27	0.70~0.43 amp

MODEL : BOL-2004
BOL-2007

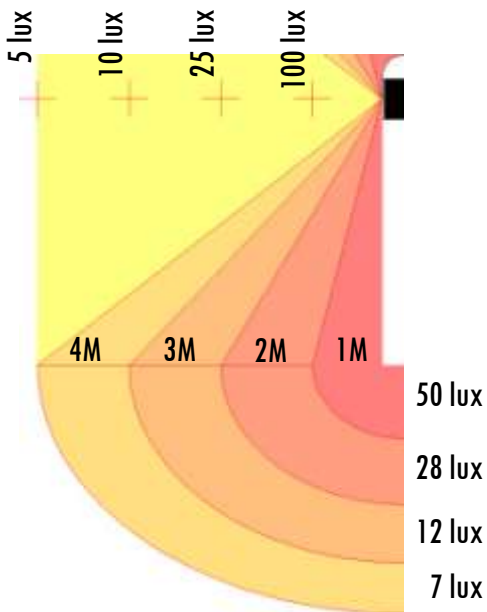


SPECIFICATION

- DIE CAST ALUMINIUM BODY AND COMPONENTS.
- ACRYLIC DIFFUSER.
- STAINLESS STEEL SCREWS.
- ANODIZED ALUMINIUM LOUVER.
- SEALED WITH SILICONE GASKET.
- POLYESTER POWER COATED.
- MOUNTING BASE.
- AVAILABLE COLOUR : MATT BLACK, MATT SILVER.
- DEGREE OF PROTECTION: IP65.
- TYPE OF PROTECTION: CLASS 1.

LIGHT DISTRIBUTION

EFD-4U 30W



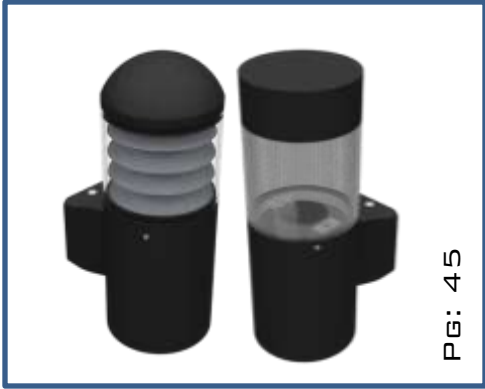
BOL-2007



BOL-2004

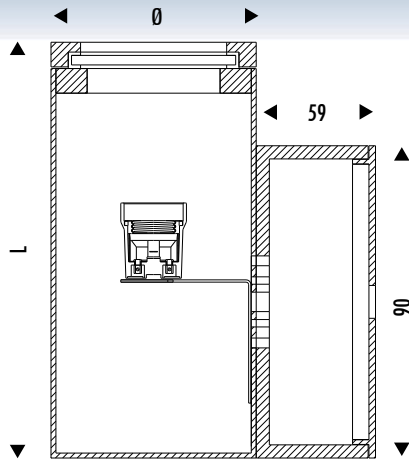


MODEL.	RECOMMENDED LAMP.		LAMP BASE.	POWER AT 240V
BOL-2004 BOL-2007	FDL-G	26W	G24d-3	0.33~0.30 amp
	EFD-4U	30W	E27	0.22~0.21 amp
	MERCURY	80W	E27	0.77~0.45 amp
	METAL HALIDE	70W	E27	0.70~0.43 amp



UP-DOWN LIGHT

MODEL : UDL-160-SINGLE

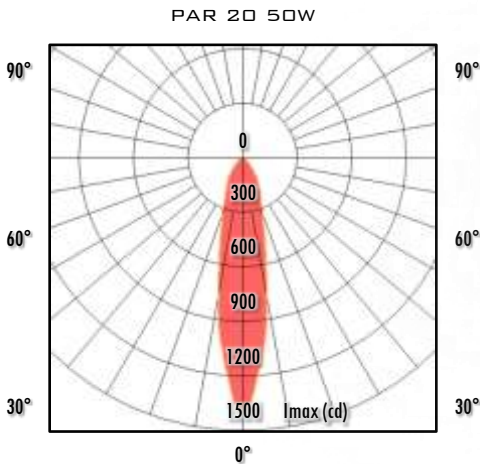


SPECIFICATION

- DIE CAST ALUMINIUM BODY AND COMPONENTS.
- ELECTROSTATICALLY COATED WITH POLYESTER / EPOXY POWDER.
- PROTECTED WITH CLEAR TEMPERED GLASS.
- STAINLESS STEEL SCREWS.
- SEALED WITH SILICONE GASKET.
- COLOUR WITH MATT BLACK & MATT SILVER.
- DEGREE OF PROTECTION: IP65.
- TYPE OF PROTECTION: CLASS 1.



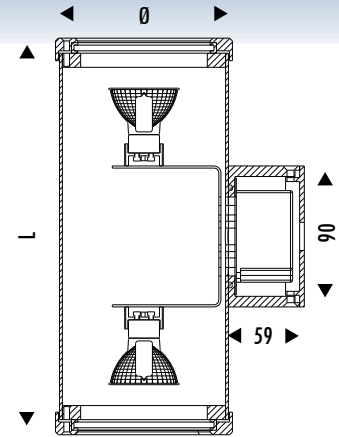
LIGHT DISTRIBUTION



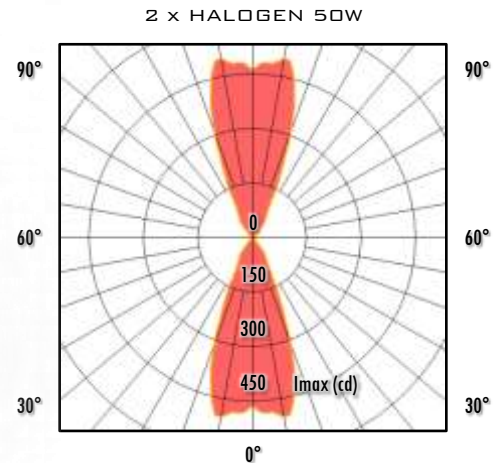
MODEL.	DIMENSION.	RECOMMENDED LAMP.		LAMP BASE.	POWER 240V
UDL-160-200-SINGLE-1C	Ø 160 x L 200MM	CMH-T	1 x 70W	1 x G12	0.40~0.33amp
UDL-160-260-SINGLE-1CP	Ø 160 x L 260MM	CMH-PAR 30	1 x 35W	1 x E27	0.20~0.17amp

SPECIFICATION

- DIE CAST ALUMINIUM BODY AND COMPONENTS.
- ELECTROSTATICALLY COATED WITH POLYESTER / EPOXY POWDER.
- PROTECTED WITH CLEAR TEMPERED GLASS DIFFUSER.
- STAINLESS STEEL SCREWS.
- SEALED WITH SILICONE GASKET.
- COLOUR WITH MATT BLACK & MATT SILVER.
- DEGREE OF PROTECTION: IP65.
- TYPE OF PROTECTION: CLASS 1.

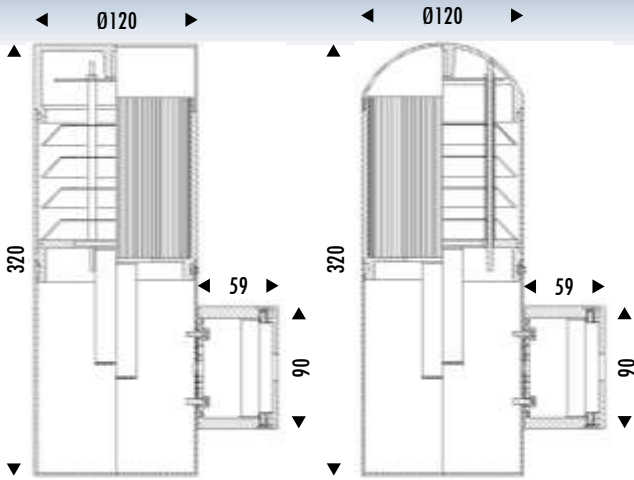


UDL-90-220
LIGHT DISTRIBUTION



MODEL.	DIMENSION.	RECOMMENDED LAMP.		LAMP BASE.	POWER AT 240V
UDL-90-220-2H	Ø 90 x L 220MM	HALOGEN GU10	2 x 240V 50W	2 x GZ10	0.44~0.42 amp
UDL-120-280-2H	Ø 120 x L 280MM	HALOGEN-PAR 20	2 x 240V 50W	2 x E27	0.22~0.21 amp
UDL-160-350-2H	Ø 160 x L 350MM	HALOGEN-PAR 30	2 x 240V 75W	2 x E27	0.66~0.63 amp
UDL-205-350-2H	Ø 205 x L 350MM	HALOGEN PAR 38	2 x 240V 100W	2 x E27	0.88~0.84 amp

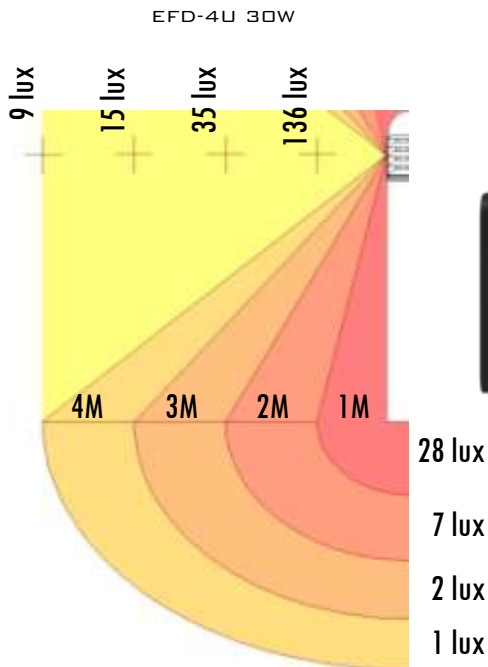
MODEL : UDL-1201
 UDL-1202
 UDL-1203
 UDL-1204



SPECIFICATION

- DIE CAST ALUMINIUM BODY AND COMPONENTS.
- ACRYLIC DIFFUSER.
- STAINLESS STEEL SCREWS.
- ANODIZED ALUMINIUM LOUVER.
- SEALED WITH SILICONE GASKET.
- POLYESTER POWER COATED.
- MOUNTING BASE.
- AVAILABLE COLOUR : MATT BLACK, MATT SILVER.
- DEGREE OF PROTECTION: IP65.
- TYPE OF PROTECTION: CLASS 1.

LIGHT DISTRIBUTION



UDL-1204

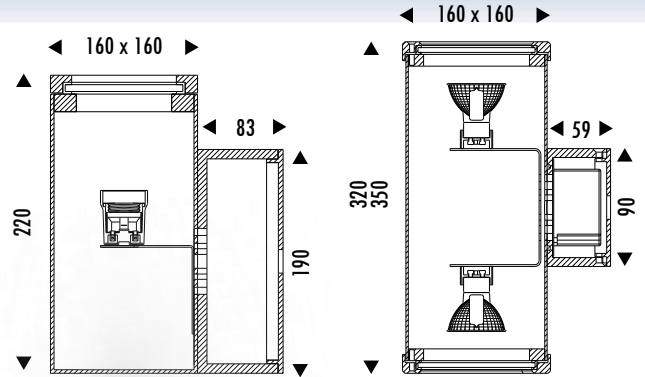


UDL-1201

MODEL.	CAP.	DIFFUSER.	LAMP.		LAMP BASE.	POWER 240V
UDL-1201	FLAT TOP	CLEAR LINER W/O LOUVER	FDL-G FDL-G EFD	18W 26W 18W - 30W	G24d-2 G24d-3 E27	0.24~0.22 amp 0.33~0.30 amp 0.22~0.21 amp
UDL-1202	ROUND TOP					
UDL-1203	FLAT TOP	CLEAR C/W LOUVER	FDL-G FDL-G EFD	18W 26W 18W - 30W	G24d-2 G24d-3 E27	0.24~0.22 amp 0.33~0.30 amp 0.22~0.21 amp
UDL-1204	ROUND TOP					

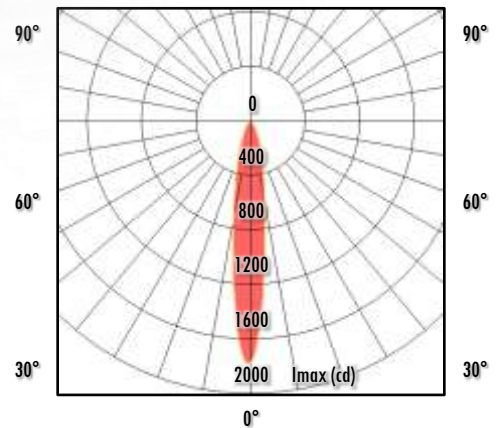
SPECIFICATION

- DIE CAST ALUMINIUM BODY AND COMPONENTS.
- ELECTROSTATICALLY COATED WITH POLYESTER / EPOXY POWDER.
- PROTECTED WITH CLEAR TEMPERED GLASS.
- STAINLESS STEEL SCREWS.
- SEALED WITH SILICONE GASKET.
- COLOUR WITH MATT BLACK & MATT SILVER.
- DEGREE OF PROTECTION: IP65.
- TYPE OF PROTECTION: CLASS 1.



LIGHT DISTRIBUTION

~ SINGLE ~
CDM-T 150W



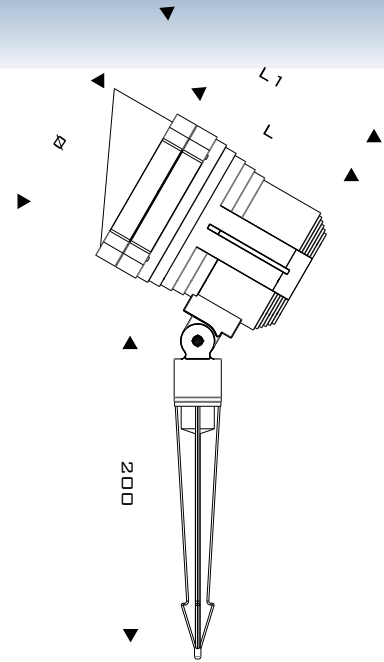
MODEL.	DIMENSION.	RECOMMENDED LAMP.		LAMP BASE.	POWER 240V
UDL-160-SQ-220-SINGLE-1CP	W 160 x 160 x L 220MM	CMH-PAR30 - 35W	1x 35W	1x E27	0.21~0.16 amp
		CMH-T	1x 150W	1x E27	0.73~0.69 amp
UDL-160-SQ-320-TWIN-2C	W160 x 160 x L 320MM	CMH-T	2 x 35W	2 x G12	0.42~0.34 amp
UDL-160-SQ-350-TWIN-2CP	W160 x 160 x L 350MM	CMH-PAR30	2 x 35W	2 x E27	0.38~0.33 amp



LAWN LIGHT

SPECIFICATION

- FIBERGLASS (FG) BODY AND COMPONENTS.
- PROTECTED WITH CLEAR TEMPERED GLASS DIFFUSER.
- STAINLESS STEEL SCREWS.
- SEALED WITH SILICONE GASKET.
- COLOUR WITH BLACK.
- CABLE GLAND ENTRY.
- DEGREE OF PROTECTION: IP54.
- TYPE OF PROTECTION: CLASS 1.

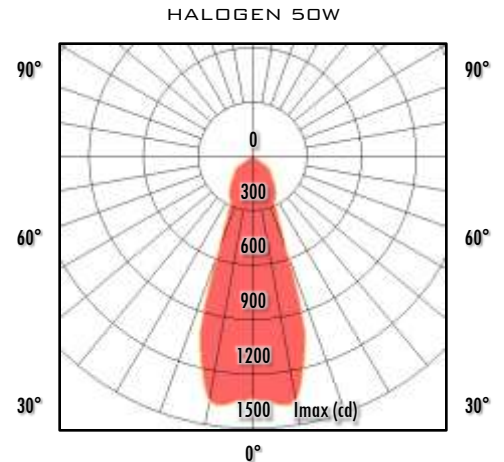


SL1102



SL1101

LIGHT DISTRIBUTION

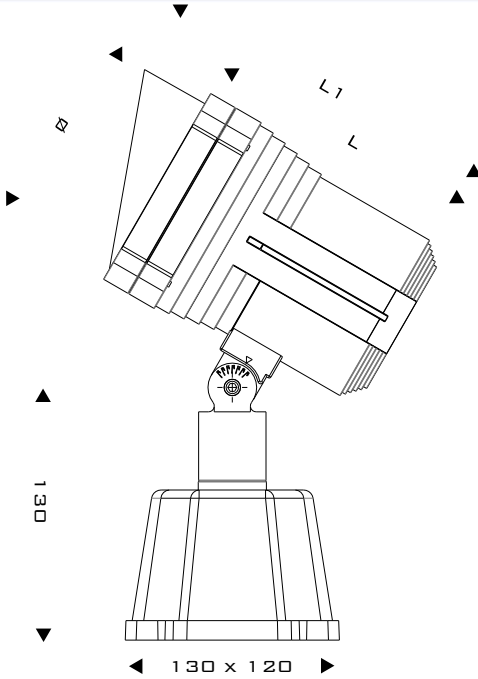


MODEL.	DIMENSION.	RECOMMENDED LAMP.		LAMP BASE.	POWER 240V
SL-1101	Ø 110 x L 124 x L180	HALOGEN GU10	240V 50W	GZ10	0.45~0.44 amp
SL-1102		L.E.D GU10	240V 3W	GZ10	0.04~0.03 amp

MODEL : SL-1103
SL-1104

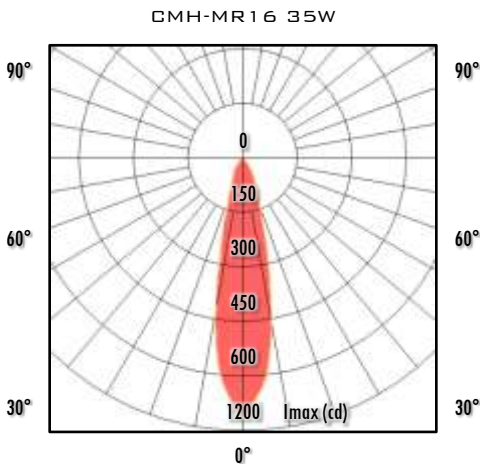
SPECIFICATION

- FIBERGLASS (FG) BODY AND COMPONENTS.
- PROTECTED WITH CLEAR TEMPERED GLASS.
- STAINLESS STEEL SCREWS.
- SEALED WITH SILICONE GASKET.
- COLOUR WITH BLACK.
- WATER PROOF CABLE ENTRY.
- DEGREE OF PROTECTION: IP54.
- TYPE OF PROTECTION: CLASS 1.



SL 1104

LIGHT DISTRIBUTION

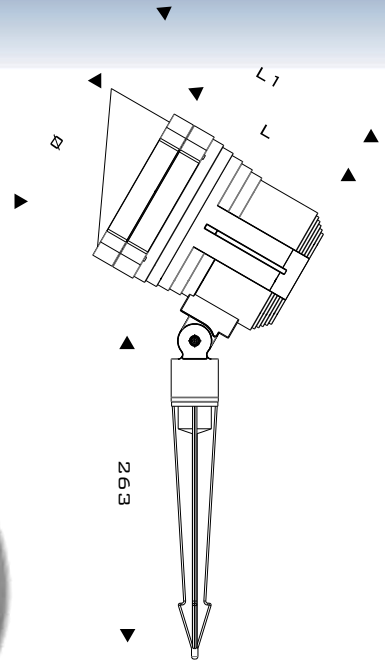


SL 1103

MODEL.	DIMENSION.	RECOMMENDED LAMP.		LAMP BASE.	POWER 240V
SL-1103	Ø 110 x L 124 x L1 180	L.E.D MR-16	3W	GU5.3	0.03~0.03 amp
SL-1104		CMH MR-16	20W~35W	GX10	0.20~0.19 amp

SPECIFICATION

- FIBERGLASS (FG) BODY AND COMPONENTS.
- PROTECTED WITH CLEAR TEMPERED GLASS.
- STAINLESS STEEL SCREWS.
- SEALED WITH SILICONE GASKET.
- COLOUR WITH BLACK.
- WATER PROOF CABLE ENTRY.
- DEGREE OF PROTECTION: IP54.
- TYPE OF PROTECTION: CLASS 1.

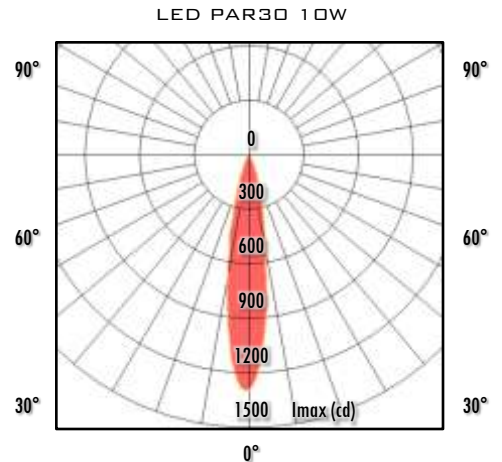


SL1901



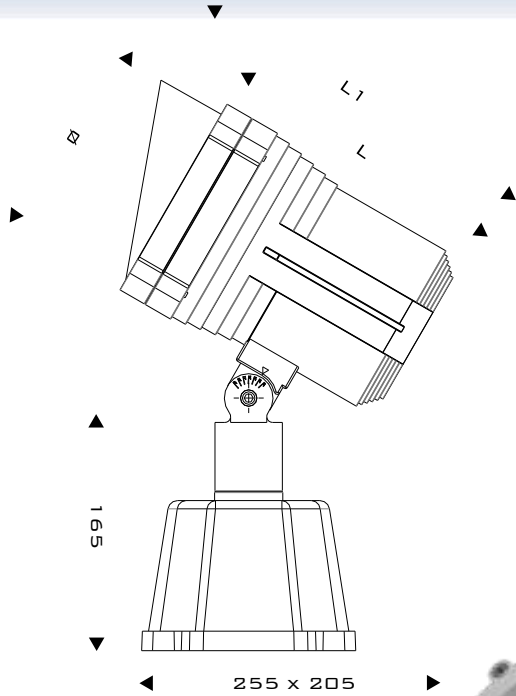
SL1902

LIGHT DISTRIBUTION



MODEL.	DIMENSION.	RECOMMENDED LAMP.		LAMP BASE.	POWER 240V
SL-1901	Ø 190 x L 220 x L1 300	HALOGEN-PAR 30	240V 75W	GU10	0.35~0.34 amp
SL-1902		L.E.D-PAR 30	240V 10W	E 27	0.15~0.10 amp

MODEL : SL-1903
SL-1904

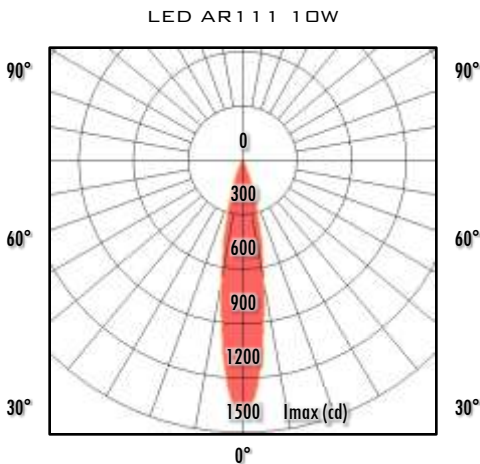


SPECIFICATION

- FIBERGLASS (FG) BODY AND COMPONENTS.
- PROTECTED WITH CLEAR TEMPERED GLASS.
- STAINLESS STEEL SCREWS.
- SEALED WITH SILICONE GASKET.
- COLOUR WITH BLACK.
- WATER PROOF CABLE ENTRY.
- DEGREE OF PROTECTION: IP54.
- TYPE OF PROTECTION: CLASS 1.



LIGHT DISTRIBUTION



MODEL.	DIMENSION.	RECOMMENDED LAMP.		LAMP BASE.	POWER 240V
SL-1903	Ø190 x L 220 x L1 300	CMH-T	70W	G12	0.40~0.33 amp
SL-1904		L.E.D AR111	10W	GU10	0.08~0.07 amp

DASCO

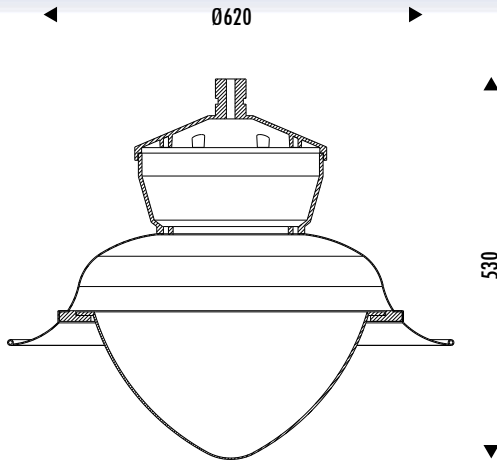


STREET LIGHT

MODEL : SL-620

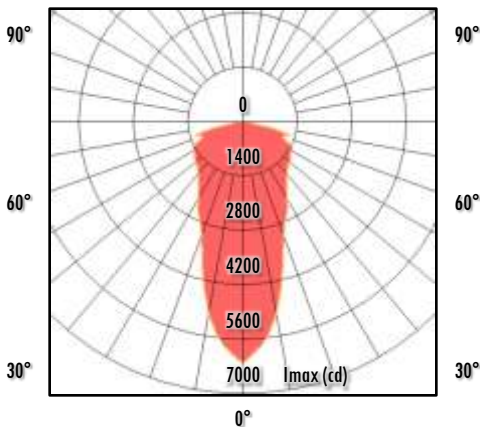
SPECIFICATION

- DIE CAST ALUMINIUM BODY AND COMPONENTS.
- PRESSED ALUMINIUM REFLECTOR.
- PMMA (ACRYLIC) DIFFUSER.
- STAINLESS STEEL SCREWS.
- SEALED WITH SILICONE GASKET.
- POLYESTER POWDER COATED.
- DEGREE OF PROTECTION: IP65.
- TYPE OF PROTECTION: CLASS 1.



LIGHT DISTRIBUTION

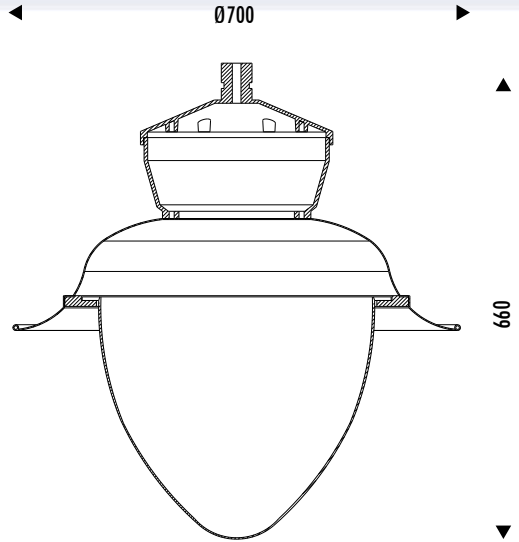
METAL HALIDE 250W



MODEL.	RECOMMENDED LAMP.		LAMP BASE.	POWER AT 240V
SL-620	SODIUM-T	150W – 250W	E40	1.20~0.75 amp
	METAL HALIDE-t	150W – 250W	E40	1.20~075 amp

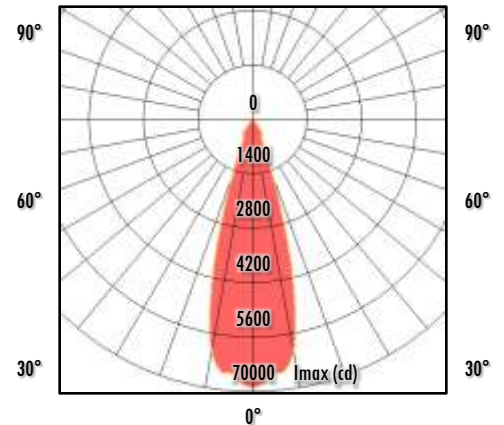
SPECIFICATION

- DIE CAST ALUMINIUM BODY AND COMPONENTS.
- PRESSED ALUMINIUM REFLECTOR.
- PMMA (ACRYLIC) DIFFUSER.
- STAINLESS STEEL SCREWS.
- SEALED WITH SILICONE GASKET.
- POLYESTER POWDER COATED.
- DEGREE OF PROTECTION: IP65.
- TYPE OF PROTECTION: CLASS 1.



LIGHT DISTRIBUTION

METAL HALIDE 150W



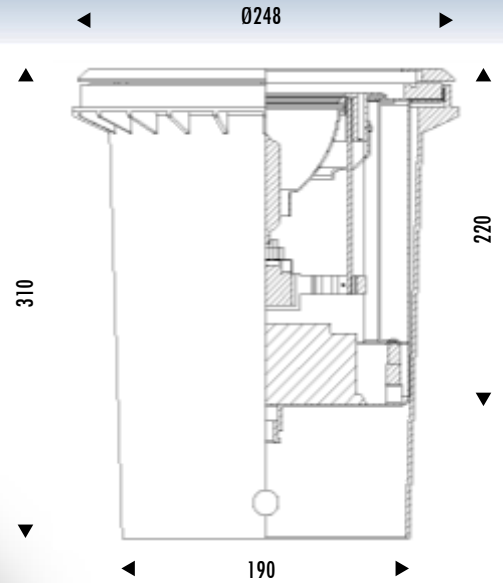
MODEL.	RECOMMENDED LAMP.		LAMP BASE.	POWER AT 240V
SL-700	SODIUM-T	250W ~ 400W	E40	1.80~1.12 amp
	METAL HALIDE-T	250W ~ 400W	E40	1.80~1.12 amp



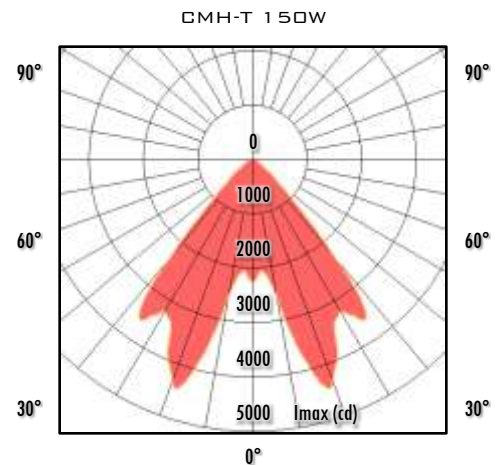
BURIED-UP LIGHT

SPECIFICATION

- STAINLESS STEEL BODY.
- PLASTIC RECESSED BOX.
- TEMPERED GLASS DIFFUSER.
- SEALED WITH SILICONE GASKET.
- WATER-PROOF CABLE ENTRY.
- DEGREE OF PROTECTION: IP65.
- TYPE OF PROTECTION: CLASS 1.

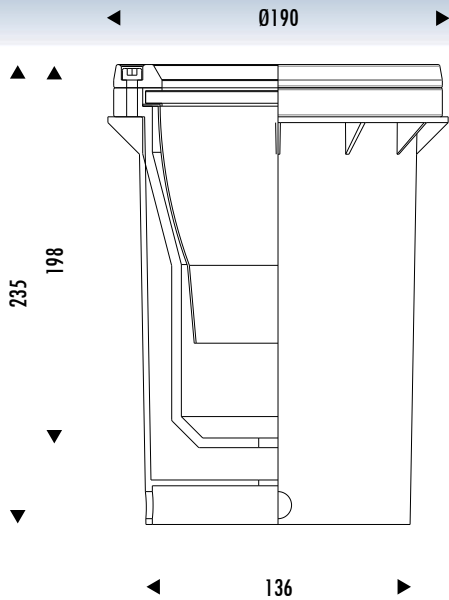


LIGHT DISTRIBUTION



MODEL.	RECOMMENDED LAMP.		LAMP BASE.	POWER AT 240V
BUL-2522	CMH-T	70W	G12	0.70~0.43 amp
	CMH-T	150W	G12	1.20~0.75 amp
	CMH-PAR30	35W-70W	E27	0.50~0.98 amp

MODEL : BUL-1920-P
BUL-1920-L



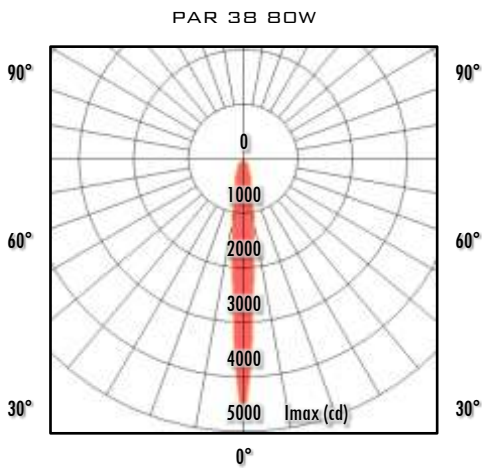
SPECIFICATION

- FIBERGLASS HOUSING.
- TEMPERED GLASS DIFFUSER.
- SEALED WITH SILICONE GASKET.
- WATER-PROOF CABLE ENTRY.
- DEGREE OF PROTECTION: IP65.
- TYPE OF PROTECTION: CLASS 1.

BUL-1920-P



LIGHT DISTRIBUTION



BUL-1920-L



MODEL.	RECOMMENDED LAMP.		LAMP BASE.	POWER AT 240V
BUL-1920-P	PAR 38	75W – 100W	E27	0.44~0.42 amp
BUL-1920-L	PAR 38 L.E.D	15W	E27	0.14~0.13 amp



GE Imagination at work

Single Ended 'mini' s'									
20	85	CMH20/TC/UVC/U/830/G8.5 PLUS	830	1,650	G8.5	12,000	12,000	12	39858
35	85	CMH35/TC/UVC/U/830/G8.5 PLUS	830	3,400	G8.5	15,000	15,000	12	43273
35	85	CMH35/TC/UVC/U/942/G8.5	842	3,200	G8.5	15,000*	15,000*	12	26348
70	85	CMH70/TC/UVC/U/942/G8.5	942	6,200	G8.5	15,000	15,000	12	26349
70	85	CMH70/TC/UVC/U/830/G8.5 PLUS	830	6,200	G8.5	15,000	15,000	12	43274
Single Ended									
20	88	CMH20/T/UVC/U/830/G12 PLUS	830	1,650	G12	12,000	12,000	12	42708
35	88	CMH35/T/UVC/U/830/G12 PLUS	830	3,400	G12	15,000	15,000	12	43272
35	88	CMH35/T/UVC/U/942/G12	842	3,200	G12	15,000*	15,000*	12	92141
70	88	CMH70/T/UVC/U/830/G12	830	6,200	G12	15,000	15,000	12	20005
70	88	CMH70/T/UVC/U/942/G12	942	6,300	G12	15,000	15,000	12	20013
150	98	CMH150/T/UVC/U/830/G12	830	14,000	G12	12,000	12,000	12	20012
150	98	CMH150/T/UVC/U/942/G12	942	13,000	G12	12,000	12,000	12	20014
Double Ended									
35	118	CMH35/TD/UVC/830/RX7s	830	3,400	RX7s	10,000*	N/A	12	43278
70	118	CMH70/TD/UVC/830/RX7s	830	7,000	RX7s	15,000	N/A	12	36910
70	118	CMH70/TD/UVC/942/RX7s	942	6,200	RX7s	15,000	N/A	12	38698
150	135	CMH150/TD/UVC/830/RX7s-24	830	14,500	RX7s-24	15,000	N/A	12	36912
150	135	CMH150/TD/UVC/942/RX7s-24	942	12,500	RX7s-24	15,000	N/A	12	38692
MR16 Precise									
20	54.5	CMH20/MR16/UVC/830/GX10/SP12	830	9,000	GX10	12,000	12,000	12	40400
20	54.5	CMH20/MR16/UVC/830/GX10/FL25	830	2,900	GX10	12,000	12,000	12	40401
20	54.5	CMH20/MR16/UVC/830/GX10/WFL40	830	1,500	GX10	12,000	12,000	12	42691
35	54.5	CMH35/MR16/UVC/930/GX10/SP12	930	16,000	GX10	10,000*	10,000*	12	88658
35	54.5	CMH35/MR16/UVC/930/GX10/FL25	930	5,500	GX10	10,000*	10,000*	12	88659
35	54.5	CMH35/MR16/UVC/930/GX10/WFL40	930	3,000	GX10	10,000*	10,000*	12	88660
35	54.5	CMH35/MR16/UVC/942/GX10/SP12	942	16,000	GX10	12,000*	12,000*	12	88661
35	54.5	CMH35/MR16/UVC/942/GX10/FL25	942	5,500	GX10	12,000*	12,000*	12	88662
35	54.5	CMH35/MR16/UVC/942/GX10/WFL40	942	3,000	GX10	12,000*	12,000*	12	88663

Elliptical Clear									
70	138	CMH70/E/UVC/U/830/E27/C	830	6,300	E27	15,000	15,000	6	46189
100	138	CMH100/E/UVC/U/830/E27/C	830	9,200	E27	15,000	10,000	6	46191
150	138	CMH150/UVC/O/U/830/E27/C	942	13,200	E27	15,000	15,000	6	43285
Elliptical Diffuse									
70	138	CMH70/E/UVC/U/830/E27/D	830	6,000	E27	15,000	15,000	6	46187
70	138	CMH70/UVC/O/U/940/E27/D	940	5,900	E27	15,000	15,000	6	43282
100	138	CMH100/E/UVC/U/830/E27/D	830	8,700	E27	15,000	10,000	6	46194
150	138	CMH150/UVC/O/U/830/E27/D	940	12,300	E27	15,000	15,000	6	43286
250	251	CMH250/E/UVC/U/830/E40/D	830	23,500	E40	20,000	20,000	12	10591
400	282	CMH400/E/UVC/U/830/E40	830/836**	39,000	E40	20,000	20,000	6	13087
Tubular Clear									
70	156	CMH70/TT/UVC/830/E27	830	6,000	E27	15,000	15,000	12	38752
100	209	CMH100/TT/UVC/830/E40	830	9,200	E40	10,000*	10,000	12	92478
150	209	CMH150/TT/UVC/830/E40	830	14,000	E40	12,000	12,000	12	38749
150	209	CMH150/UVC/T/U/842/E40	842	14,500	E40	15,000*	15,000	12	21514
150	209	CMH150/UVC/O/T/U/830/E40	830	14,000	E40	12,000	12,000	6	21516
150	209	CMH150/UVC/O/T/U/830/E40	942	14,000	E40	12,000	12,000	6	21517
250	260	KRC250/CMH/830/T/H/E40	830	20,000	E40	20,000	20,000	12	20302
250	260	CMH250/TT/UVC/U/830/E40	830	25,000	E40	20,000	20,000	12	10589
400	278	CMH400/TT/UVC/U/830/E40	830/836**	39,000	E40	20,000	20,000	12	13067

IEC CLASSIFICATION ACCORDING TO THE DEGREE OF DUCT AND MOISTURE PRODUCTION (IP) INTERBATIONAL PRODUCTION RATING

Dust Protection			Moisture Protection		
Symbol	First Numeral	Degree of Protection	Degree of Protection	Second Numeral	Symbol
	0	Non-Protected	Non-Protected	0	
	1	Protected against solid objects greater than 50 mm	Protected against dripping water	1	
	2	Protected against solid objects greater than 12 mm	Protected against dripping water when tilted up to 15°	2	
	3	Protected against solid objects greater than 2.5 mm	Protected against spraying water 60°	3	
	4	Protected against solid greater than 1.0 mm	Protected against splashing water	4	
	5	Dust-protected	Protected against water jets	5	
	6	Dust-tight	Protected against heavy seas	6	
			Protected against effects of immersion up to 1 m	7	
			Protected against submersion immersion beyond 1 m	8	

ADEQUATE LIGHT LEVELS FOR WORKING AREAS

LUX(lx)																		
	10,000	5,000	3,000	2,000	1,500	1,000	750	500	300	200	150	100	75	50	30	20		
LOCATIONS																		
FACTORY				-ELECTRONICS PARTS ASSEMBLY LINE. - DRAFTING.		-TYPESSETTING AT PRINTING SHOP. - INSPECTION WORK.		VISUAL WORK AT PRODUCTION LINE.		- PACKING WORK.		-EXIT. -ENTRANCE. -PASSAGE.		-INDOOR EMERGENCY STAIRS. WAREHOUSE. - LOADING OR UNLOADING WORK.				
OFFICE				TYPING. -DRAFTING.		-CLERICAL WORK.		-CONFERENCE ROOM. -DINING ROOM. -RECEPTION ROOM.		-CORRIDOR STAIRS.		ENTRANCE. WAREHOUSE.		-INDOOR - EMERGENCY STAIRS.				
HOUSE				- SEWING.		-READING. - STUDY.		- MAKEUP.		- DINING TABLE.		-RECREATIONAL ACTIVITIES		- WASHING.				
STORE				- FOREFRONT OF SHOW WINDOW.		- SHOW WINDOW. - PACKING TABLE.		ELEVATOR.		- DISPLAY STAND.		-RECEPTION ROOM.		-CORRIDOR STAIRS. -INDOORS.				
HOSPITAL	EYE INSPECTION.					OPERATING ROOM. EMERGENCY TREATMENT.		MEDICAL EXAMINATION ROOM. DINING ROOM.		WAITING ROOM		SICK ROOM WAREHOUSE		STAIRS.		EMERGENCY STAIRS.		
SCHOOL				-DRAFTING ROOM. - LABORATORY. -LIBRARY.				GLASS ROOM.		INDOOR GYMNASIUM. AUDITORIUM. WASH ROOM.						EMERGENCY STAIRS.		
RESTAURANT				- SHOW WINDOW.				COOKING ROOM. DINING TABLE.		ENTRANCE. WASH ROOM.		CORRIDOR. STAIRS						
BARBER, BEAUTY PARLOR				-HAIR DYEING. - MAKEUP - HAIR DRESSING.				-SHAVING. - HAIR WASHING. - DRESSING.										

*REQUIRED LIGHT LEVEL MAY BE OBTAINED BY LOCAL ILLUMINATION FOR THOSE MAKED -. IN THIS CASE DESIRED LIGHT VALUE OF TOTAL ILLUMINATION IS ONE TENTH OF LOCAL ILLUMINATION LEVEL.

CONTACT DETAILS

DASCO LIGHTING

UNIT A/14 LEVANSWELL ROAD MOORABBIN VICTORIA 3189, AUSTRALIA

UNIT 8/41 LEIGHTON PLACE HORNSBY NSW 2077, AUSTRALIA

PH. 61 3 9553 2330 FAX. 61 3 9553 2335 MOB. 0408 542 805

Email: dasco@bigpond.net.au

MANUFACTURERS OF COMMERCIAL & ARCHITECTURAL LIGHTING